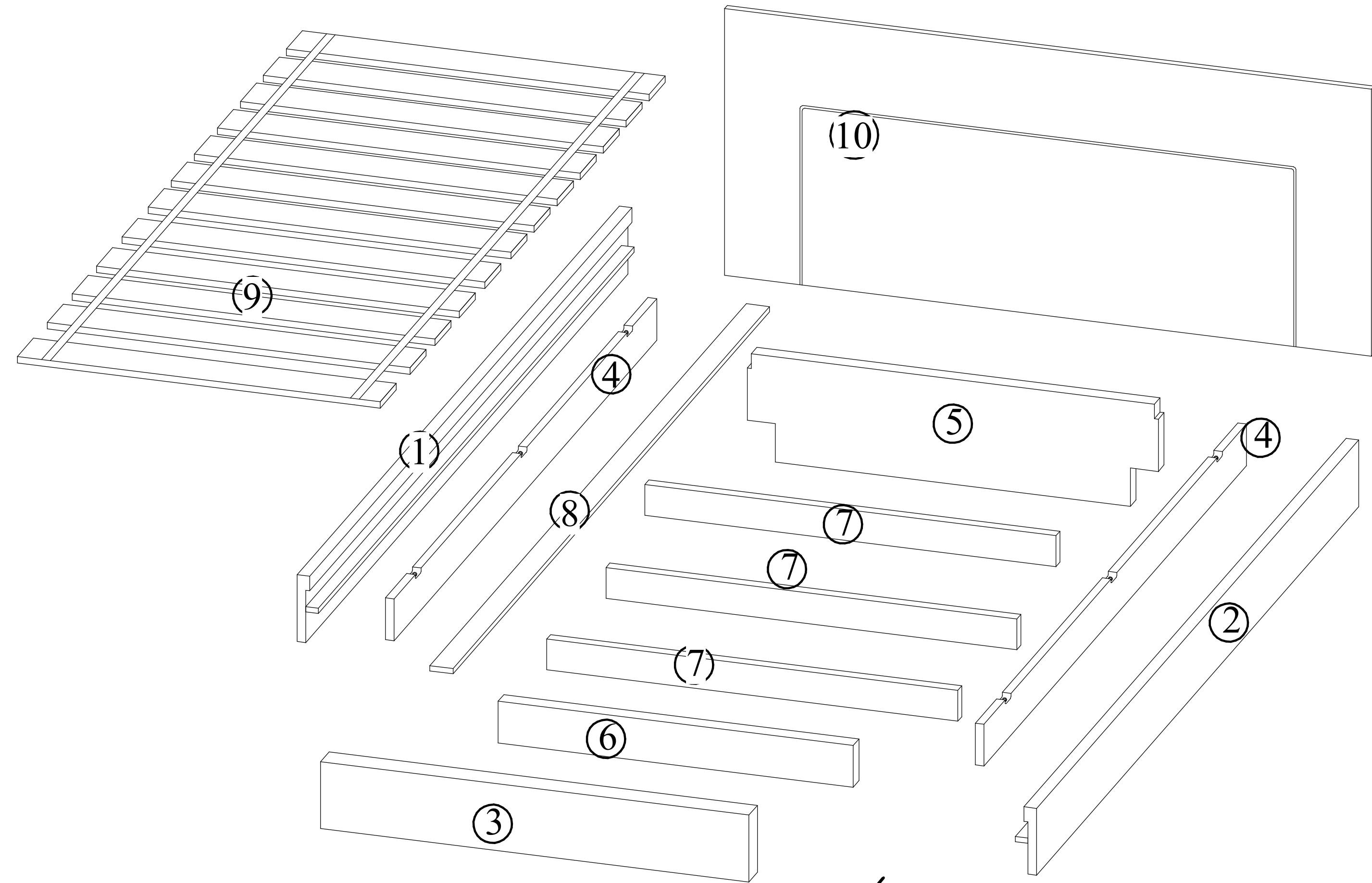
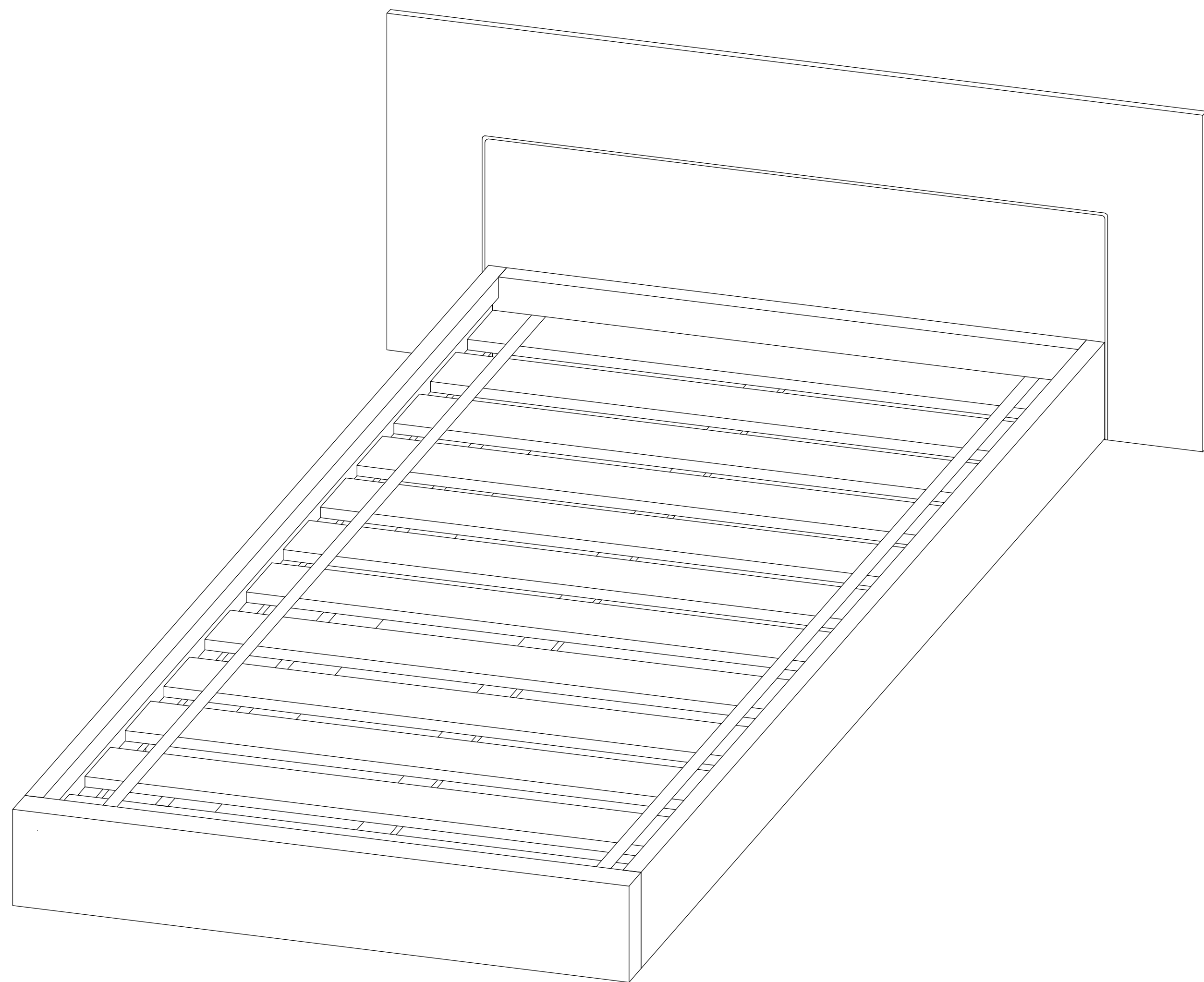
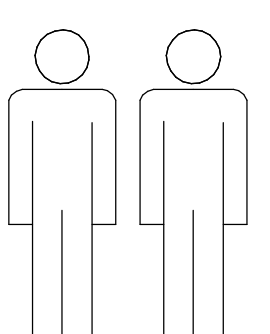
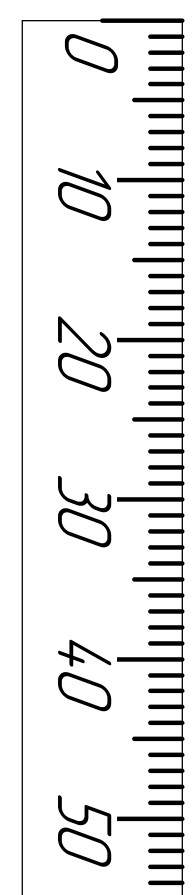


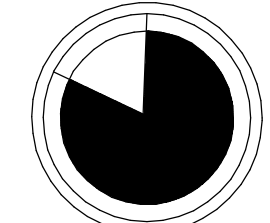
# MONTAGEANLEITUNG BETT 160/180



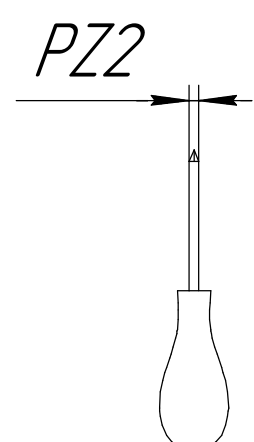
2/11

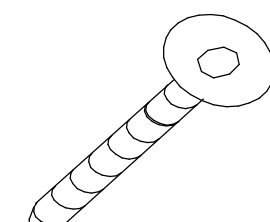
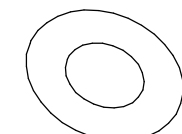
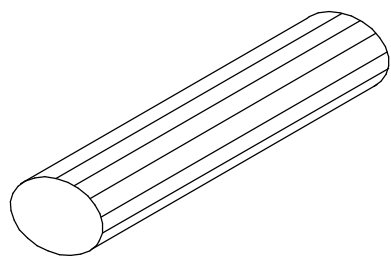
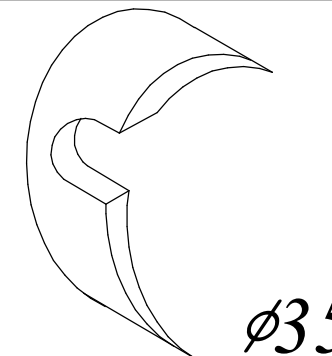
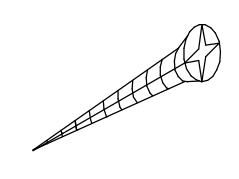
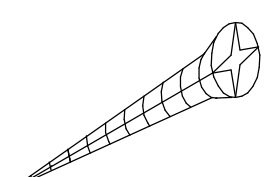
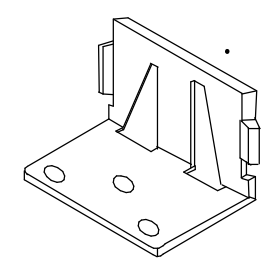
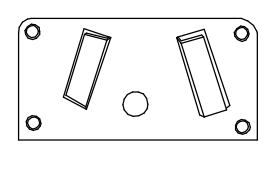
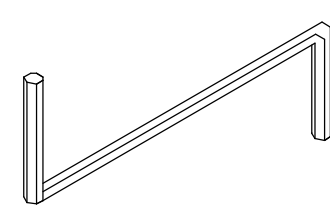


45 min

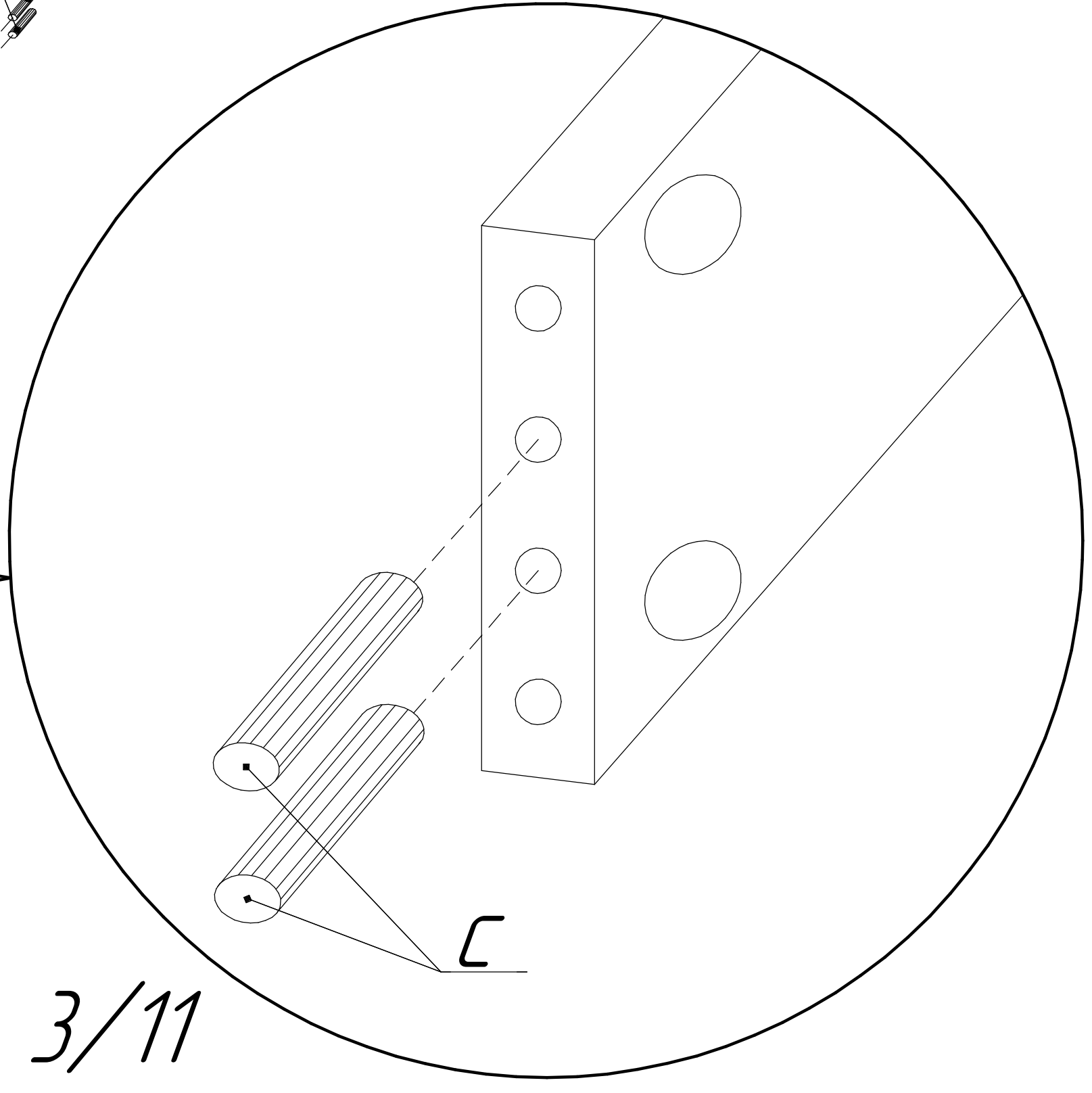
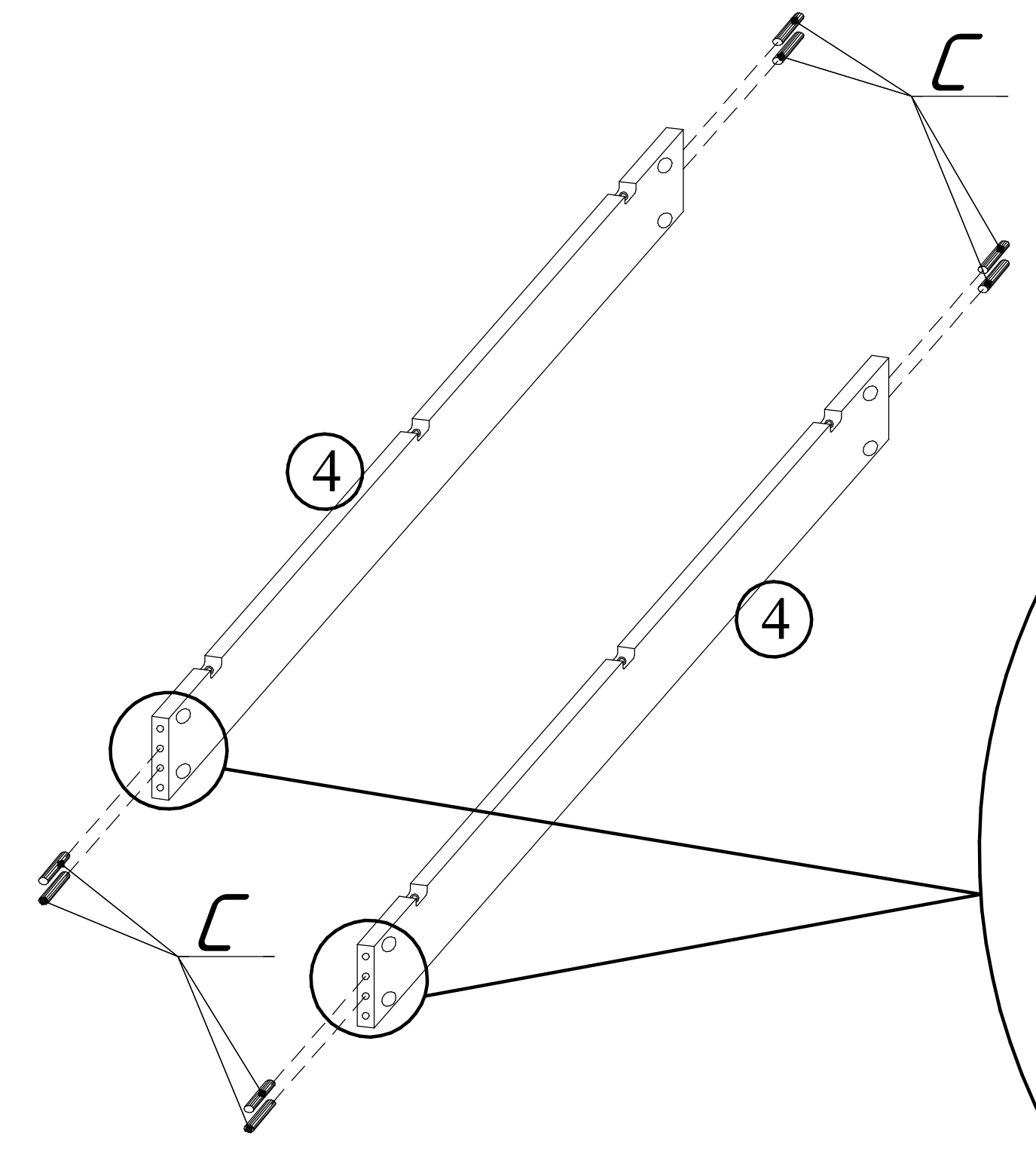
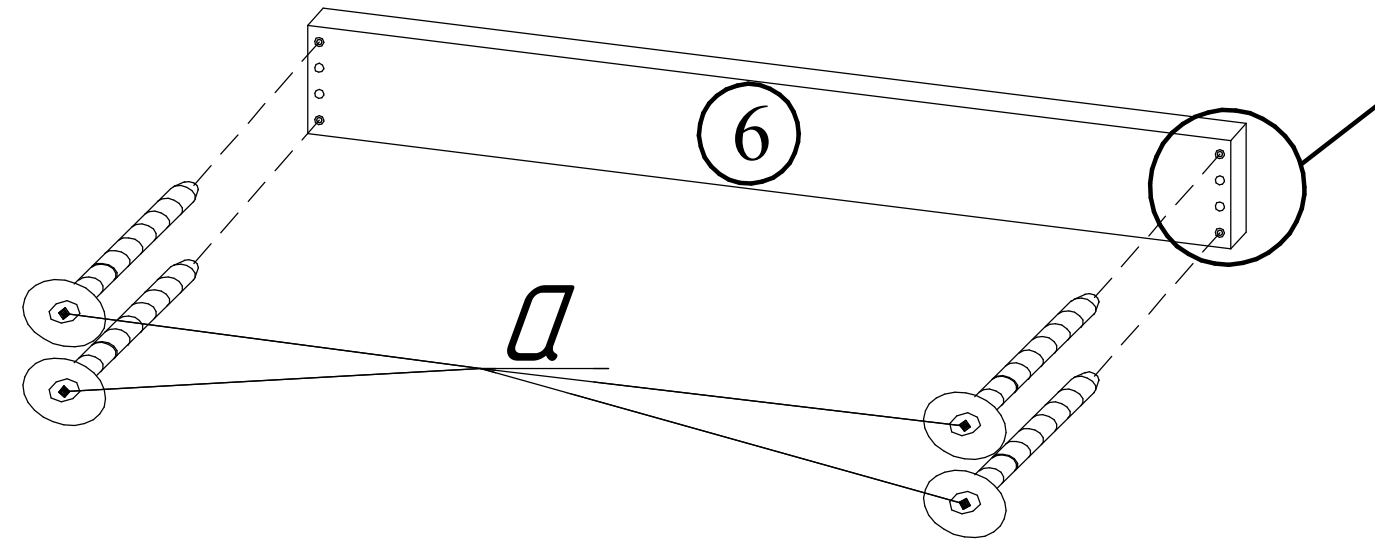
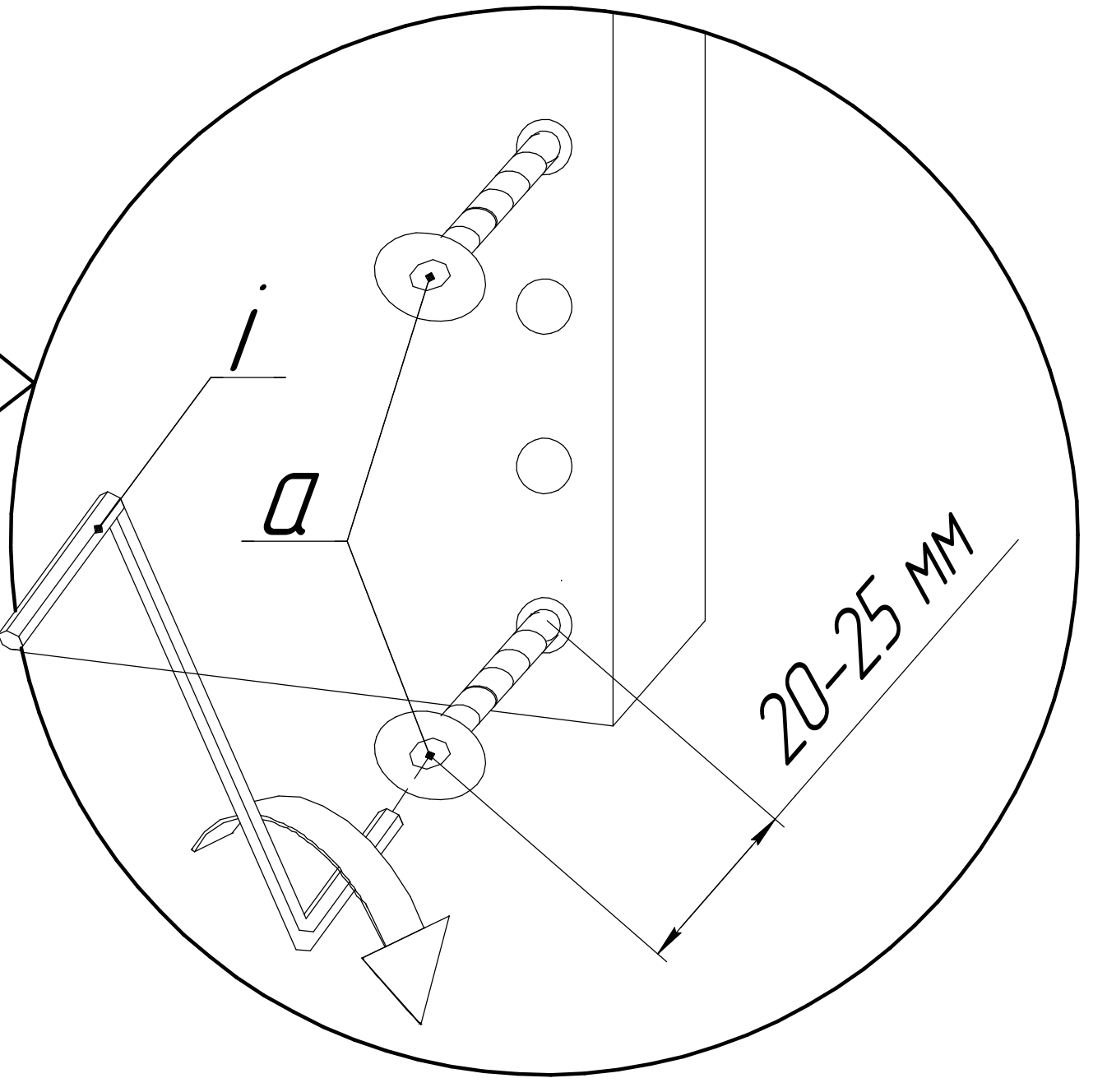
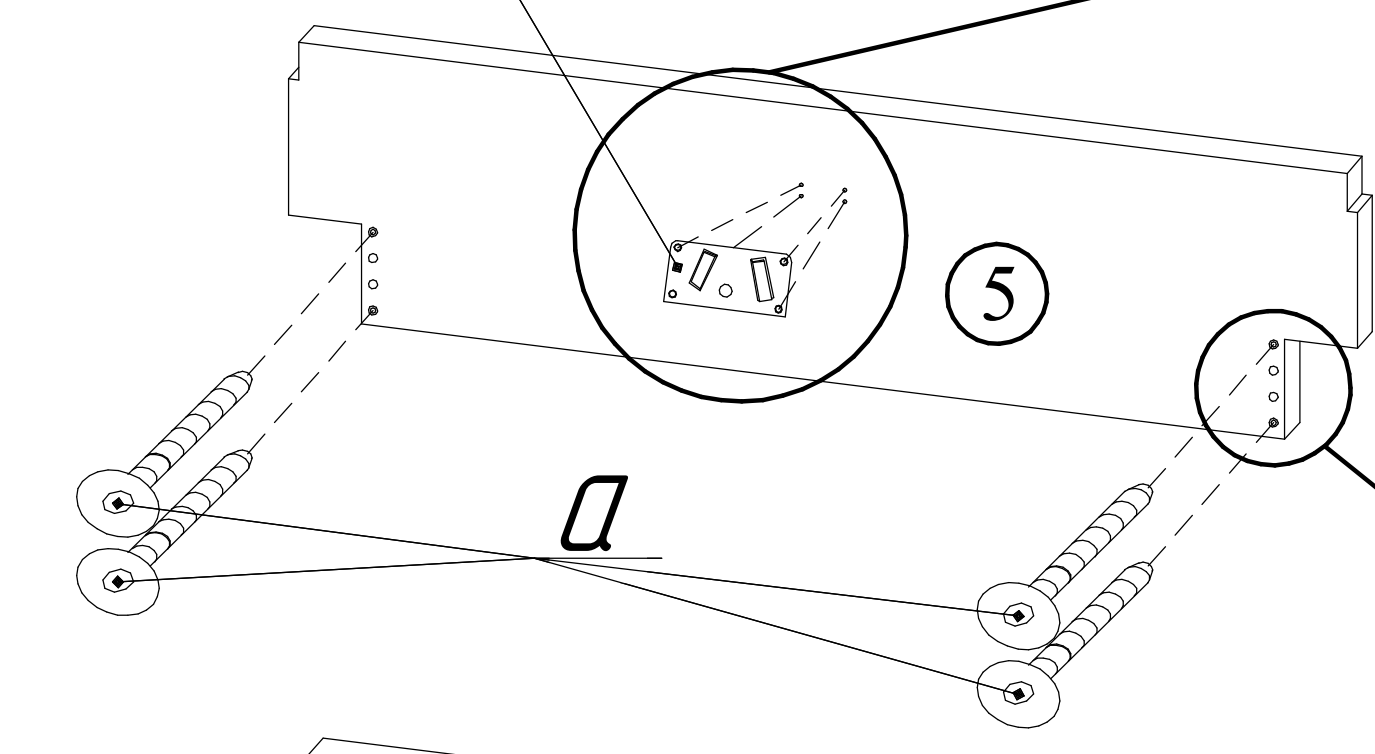
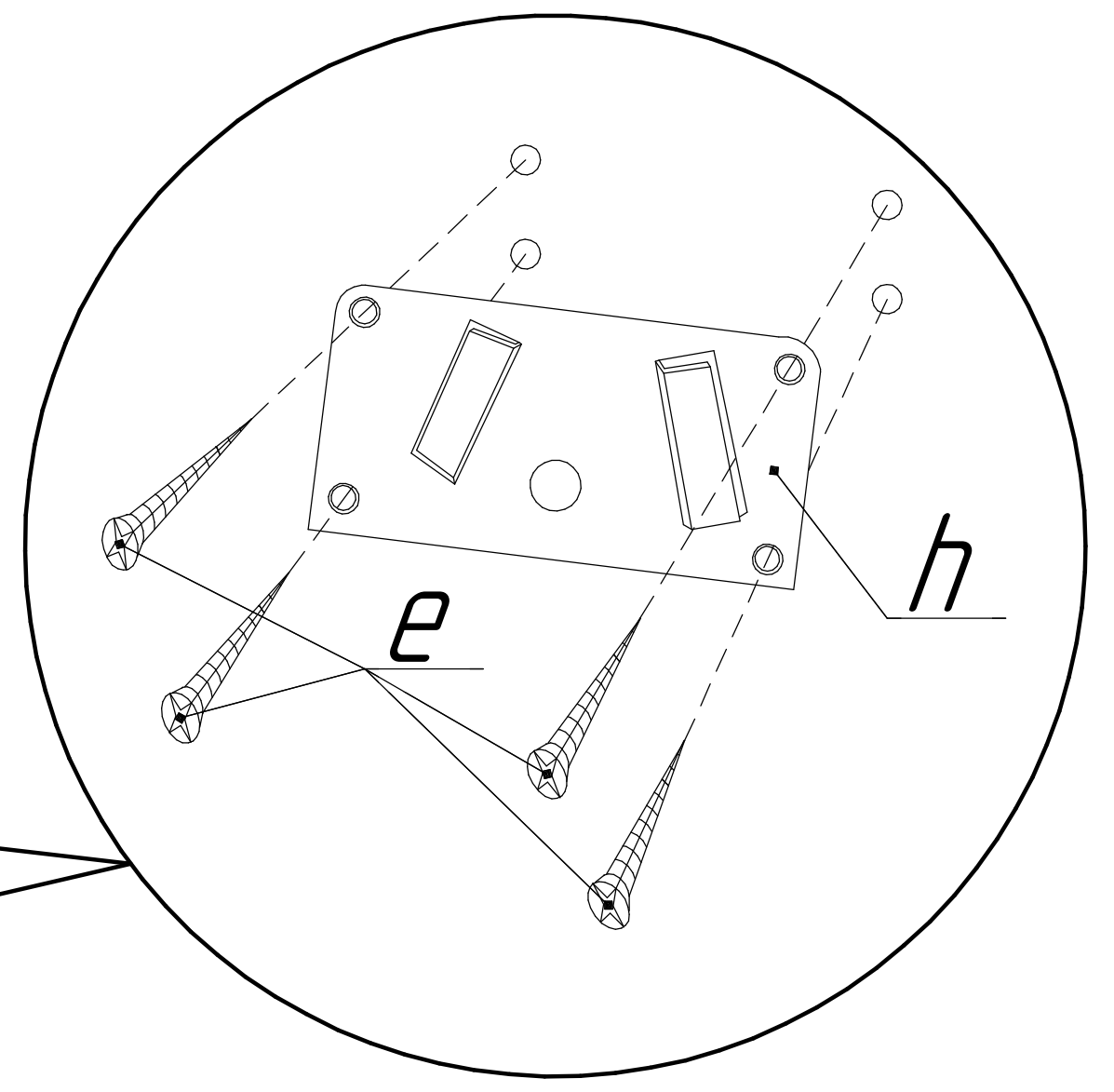
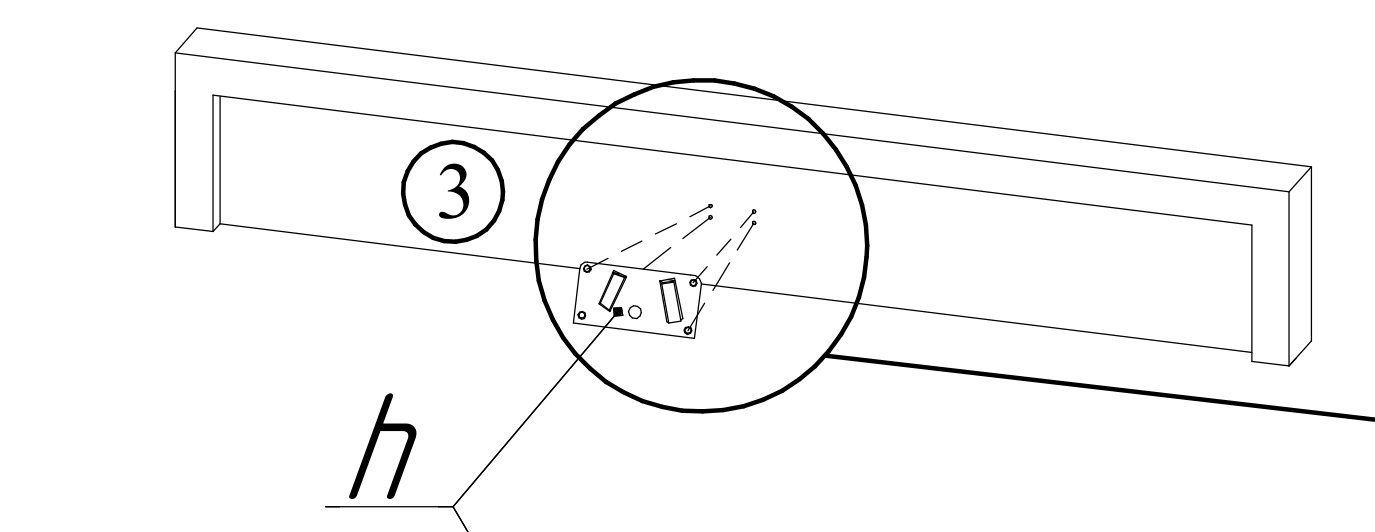


1/11



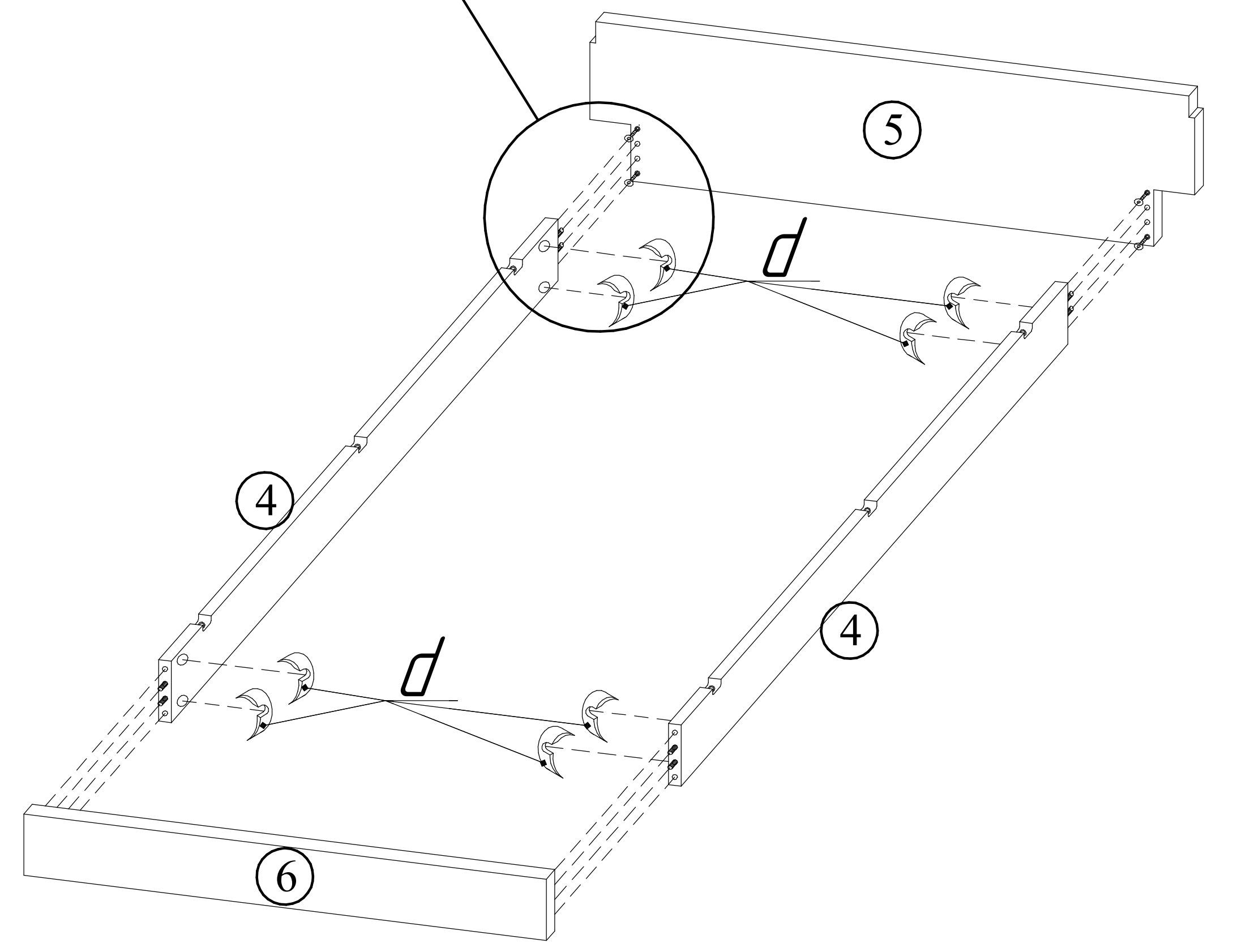
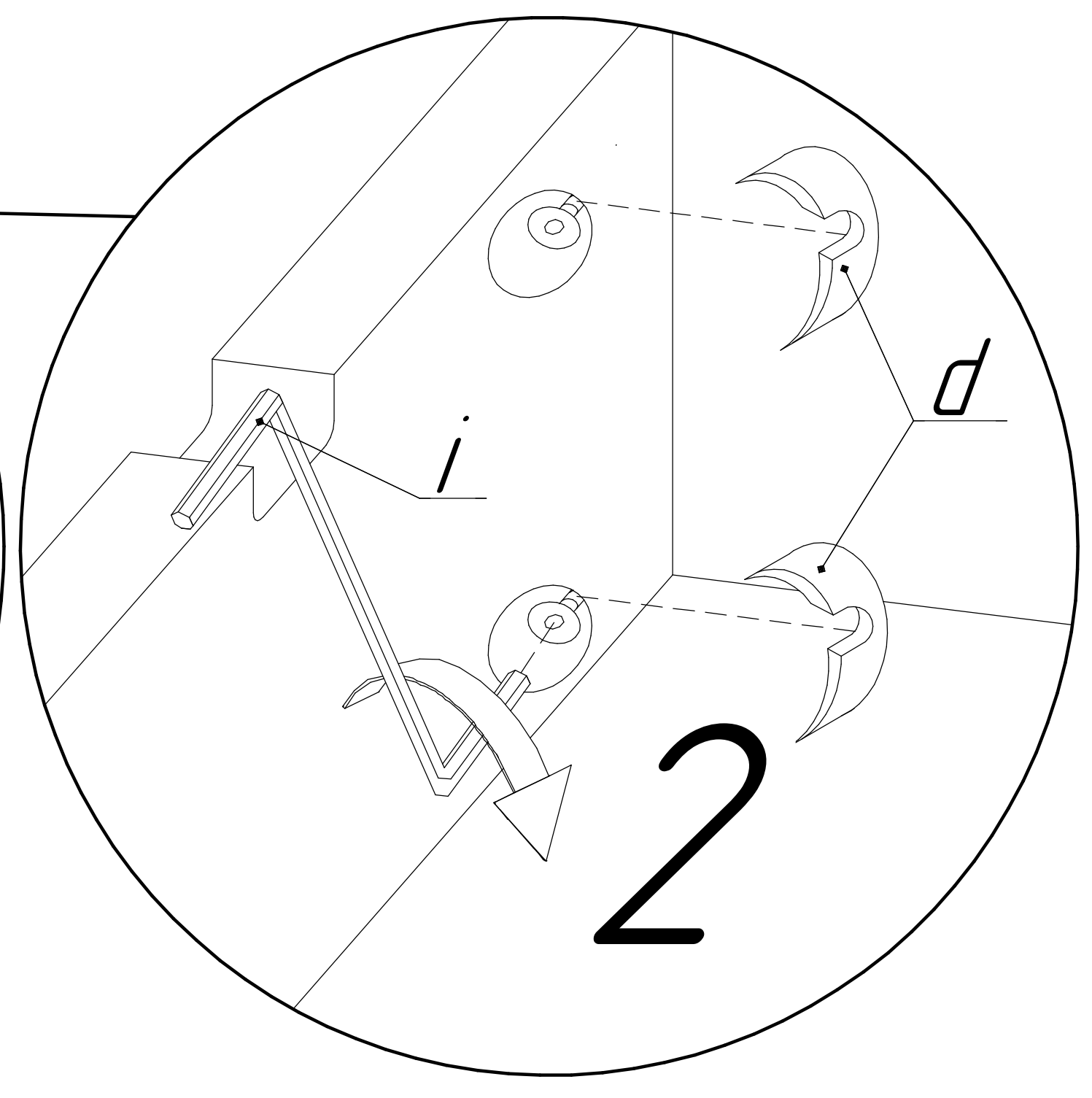
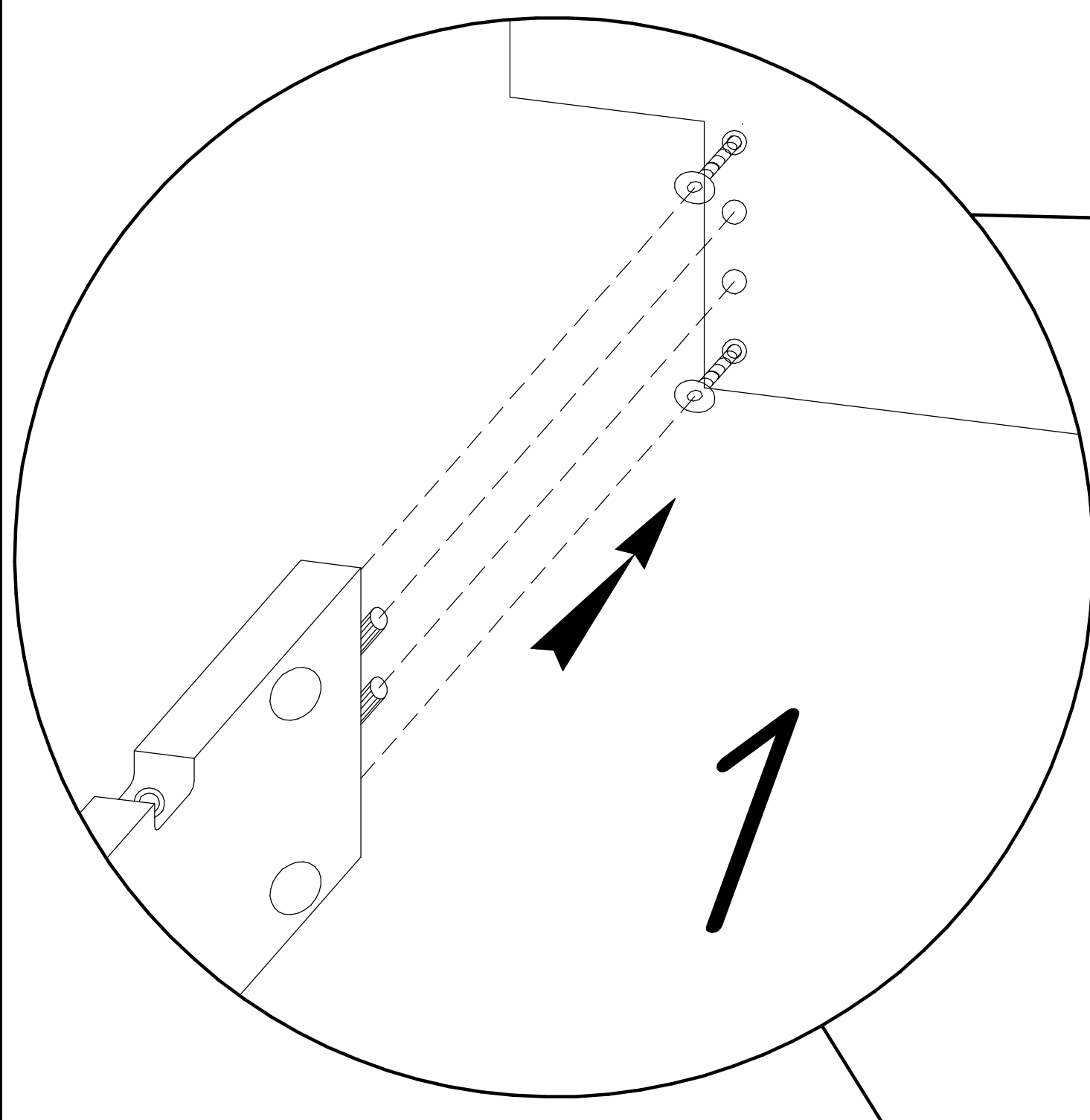
<b>a</b> x36  M6x30	<b>b</b> x8  M6	<b>c</b> x36  ø12x30	<b>d</b> x28  ø35	<b>e</b> x14  4x16
<b>f</b> x12  4x40	<b>g</b> x2 	<b>h</b> x2 	<b>i</b> x1 	
TEILE - NR	ANZAHL	MASS HxBxT (mm)		Coll
①	1	2025x250x30		1.4
②	1	2025x250x30		1.4
③	1	1670(1870)x250x30		2.4
④	2	1880x160x20		1.4
⑤	1	1630(1830)x400x20		2.4
⑥	1	1400(1600)x160x20		2.4
⑦	3	1630(1830)x120x20		2.4
⑧	1	1990x80x20		1.4
⑨	1	2000x1630(1830)x20		3.4
⑩	1	2200(2400)x975x60		4.4

<i>h</i>	<i>e</i>
x2	x8
	4x16



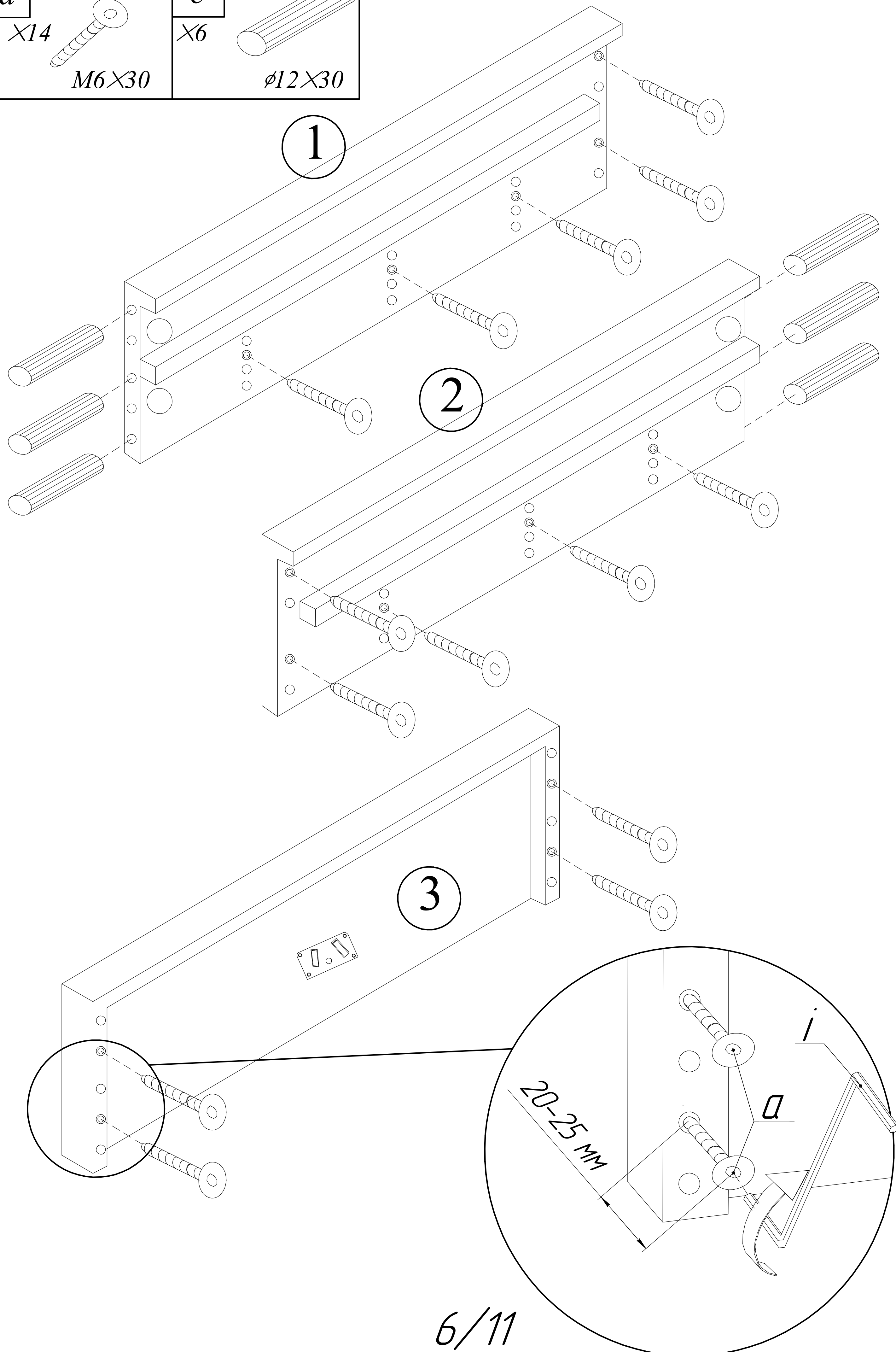
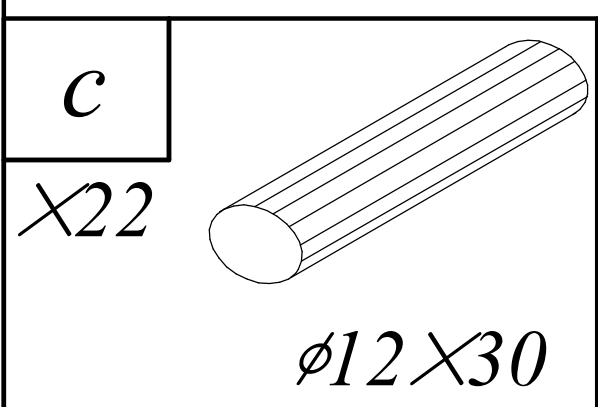
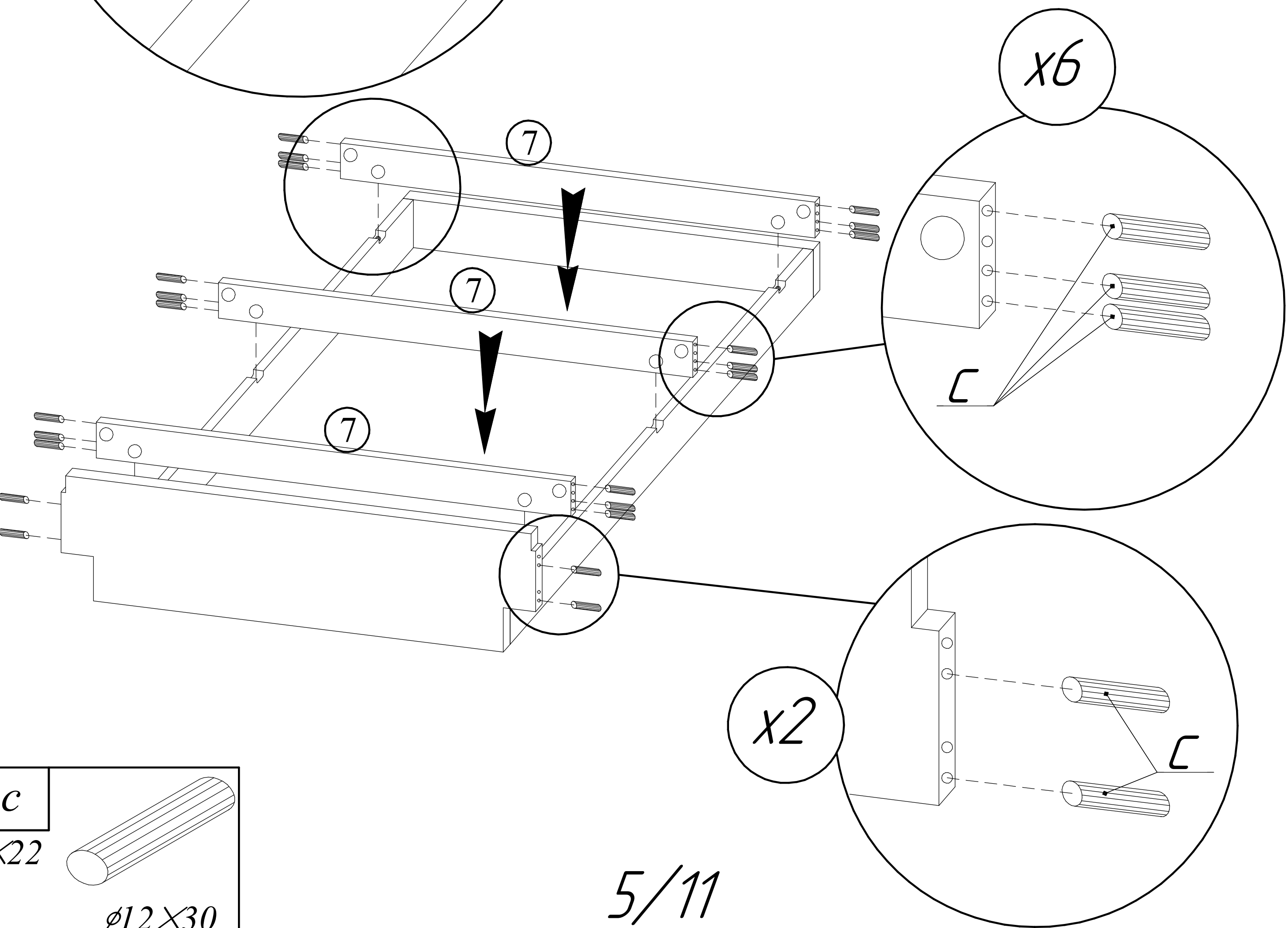
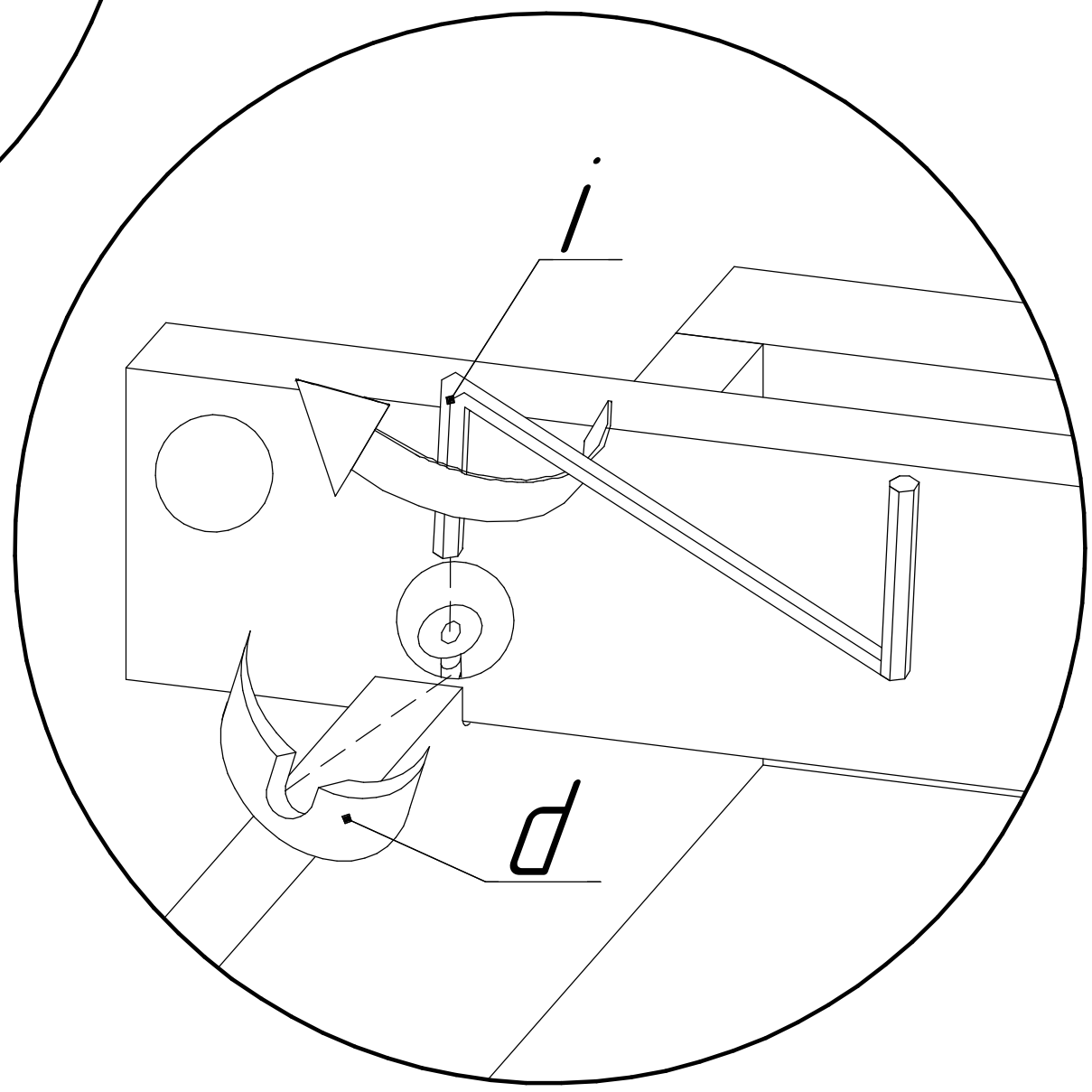
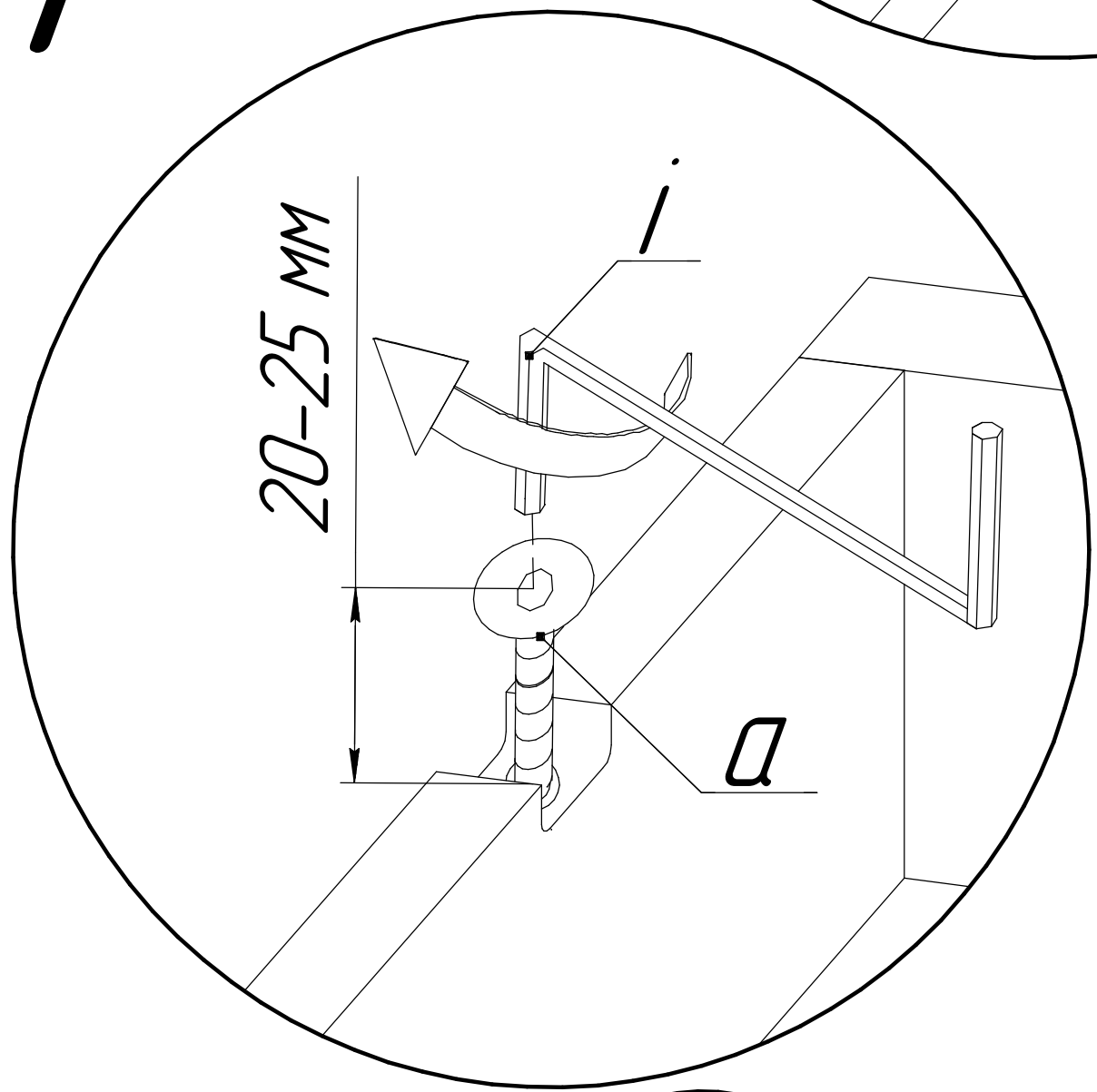
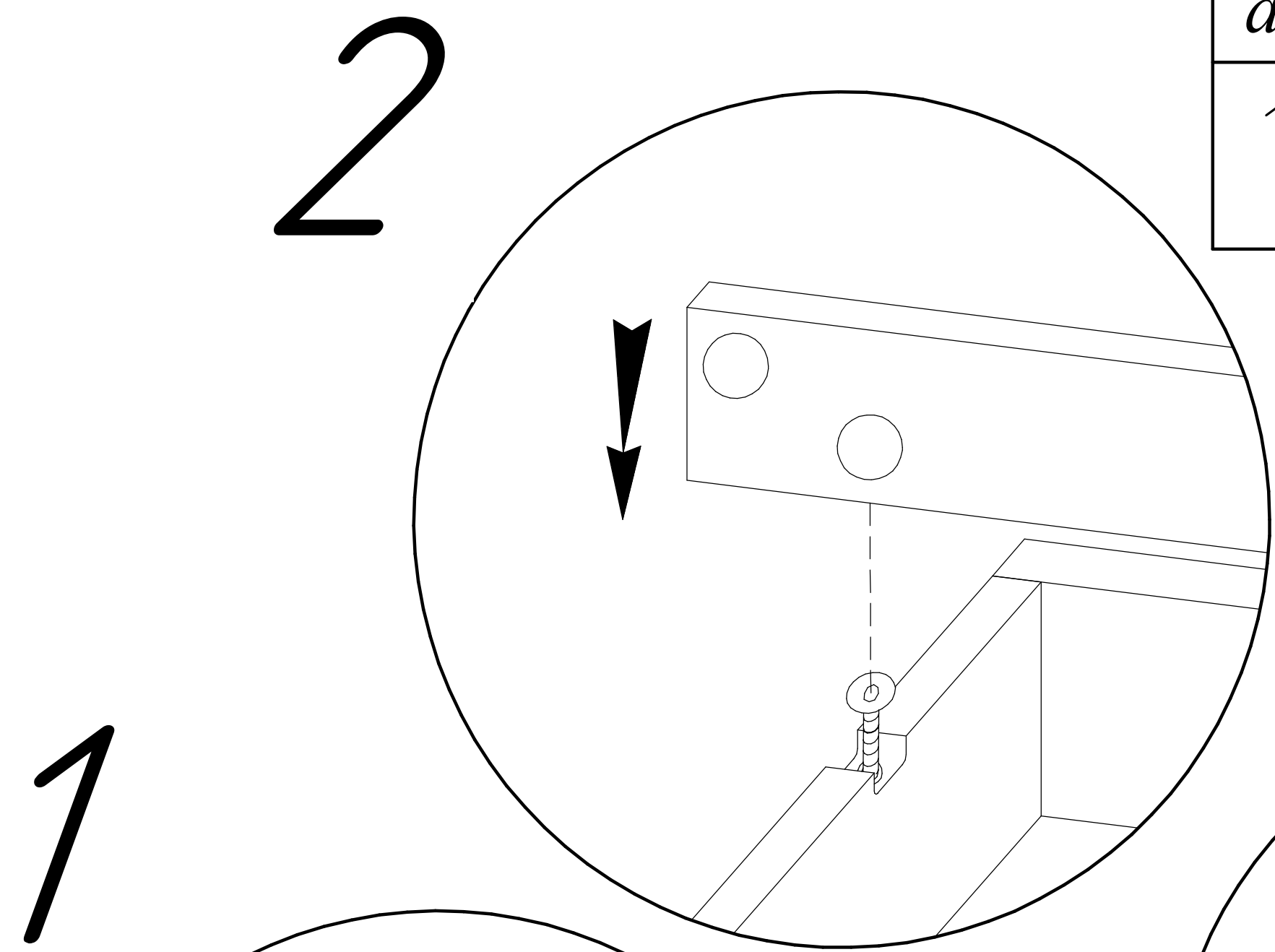
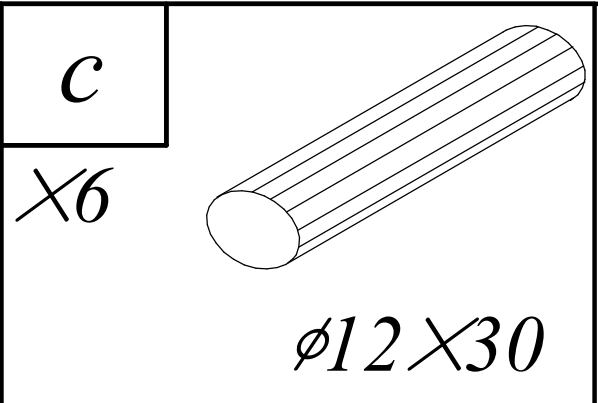
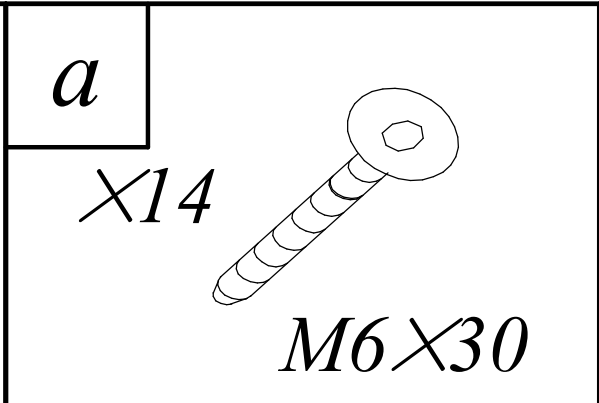
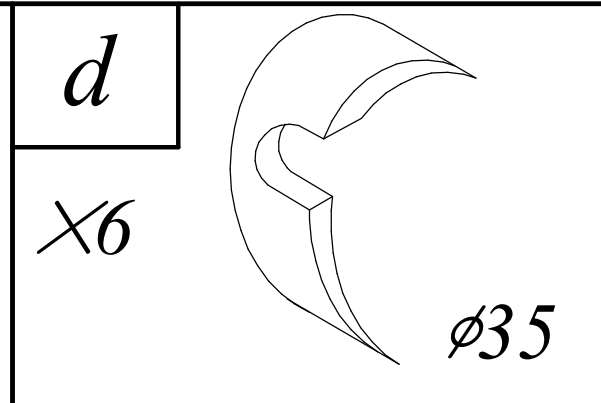
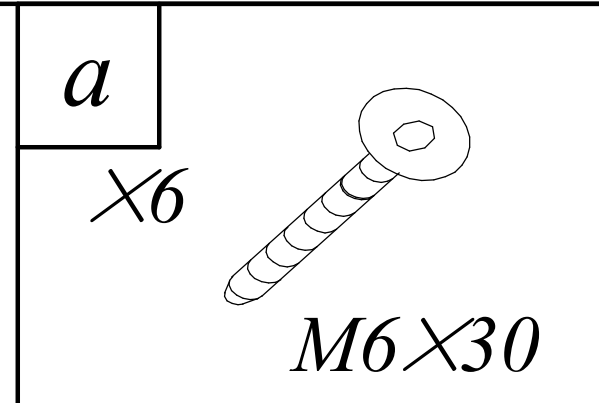
<i>a</i>	<i>c</i>
x8	x8
M6x30	ø12x30

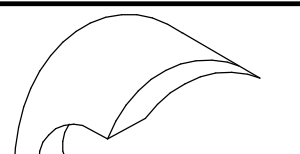
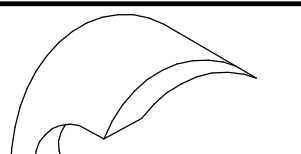
3/11

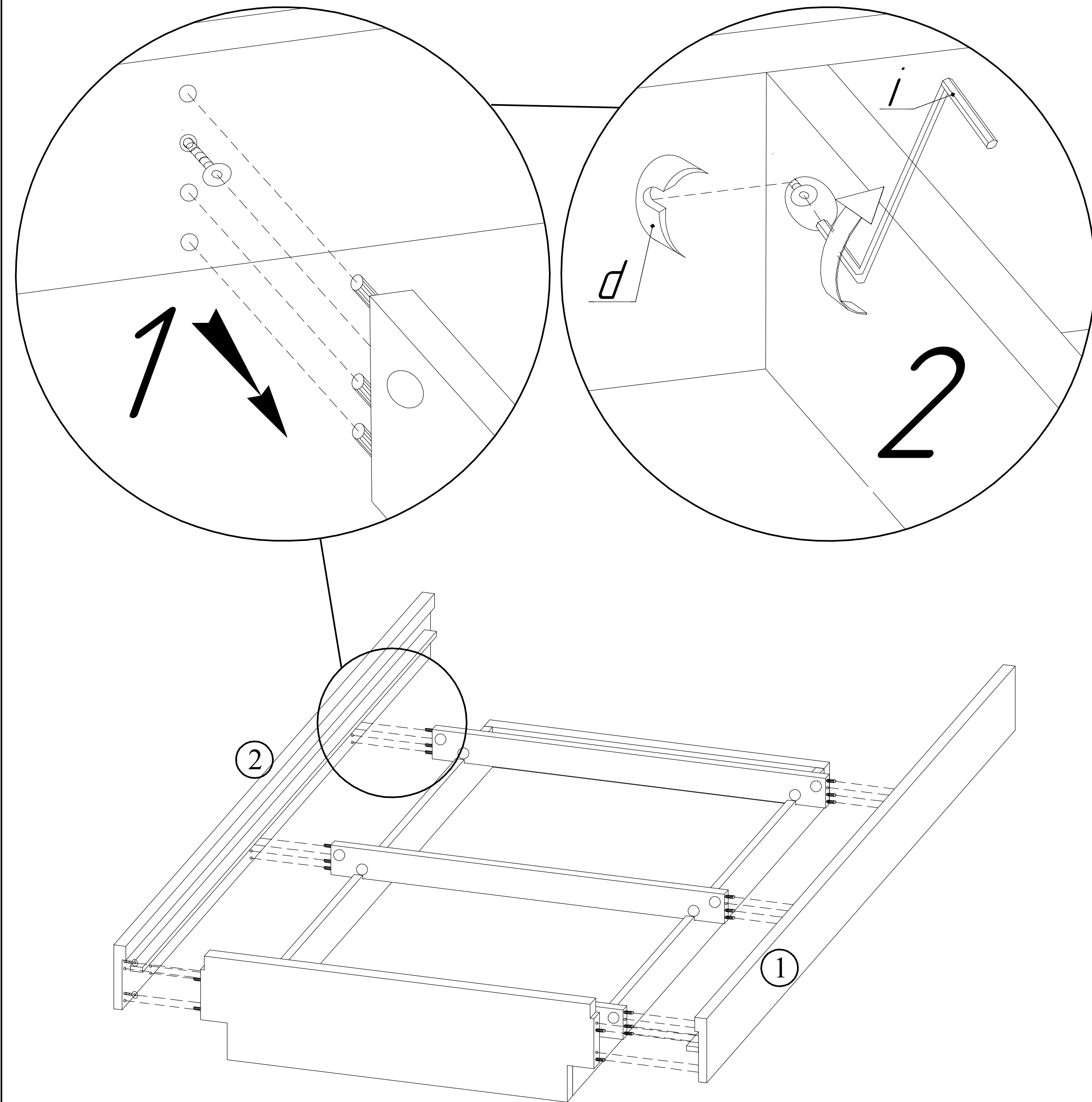


<i>d</i>
x8
ø35

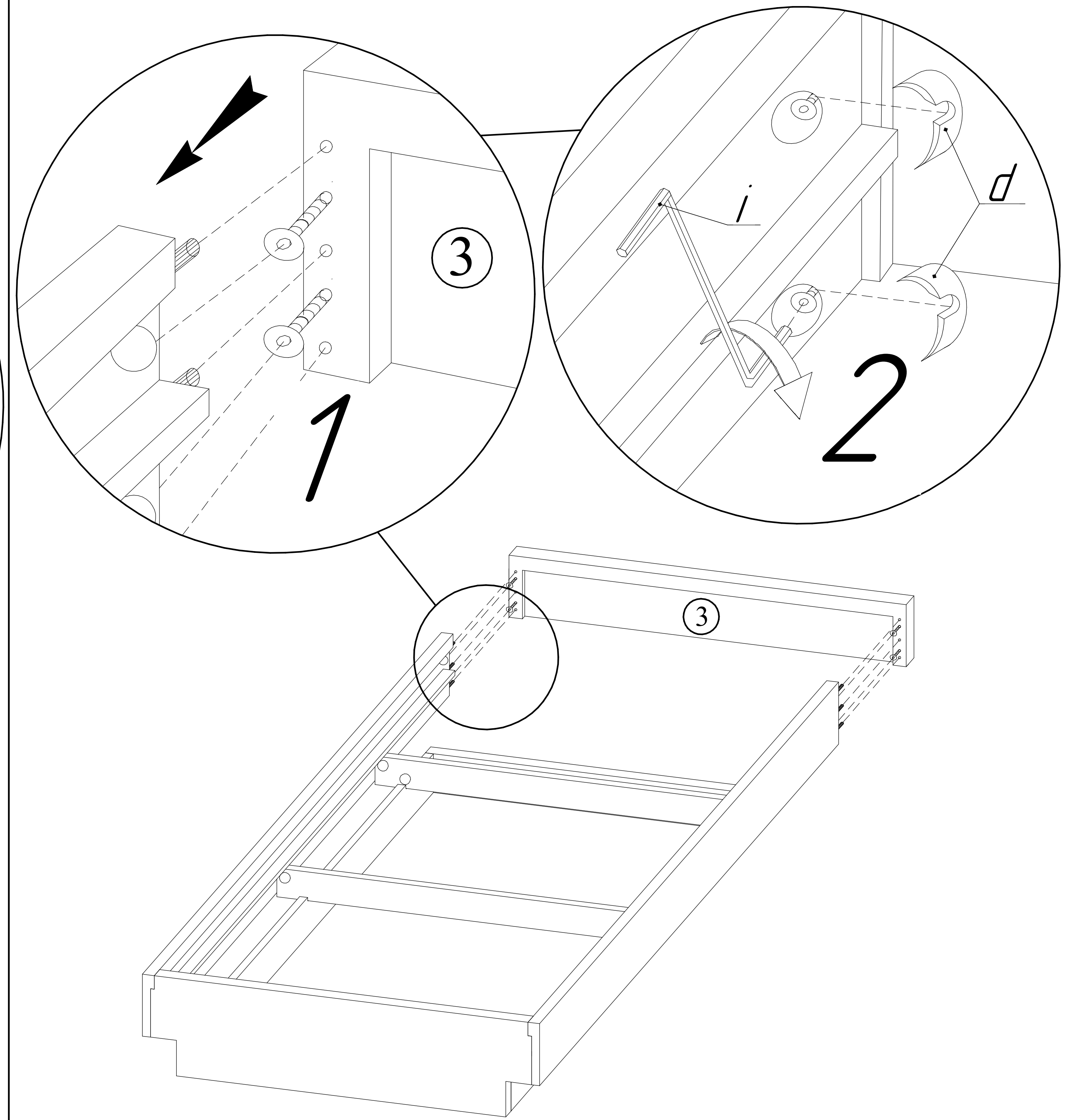
4/11



$d$		$d$	
$\times 10$	$\varnothing 35$	$\times 4$	$\varnothing 35$

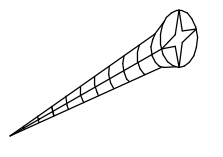
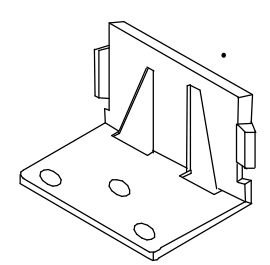


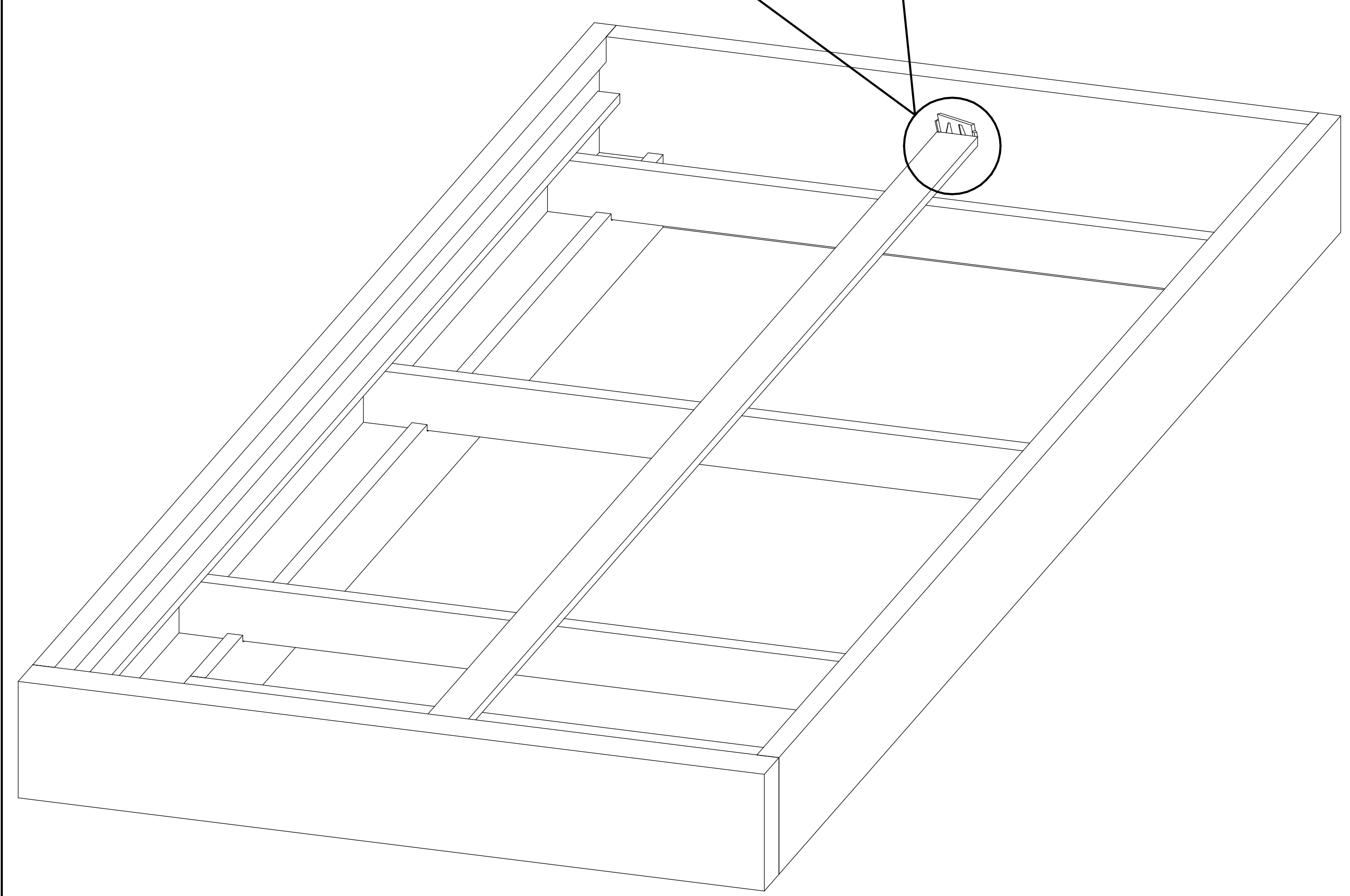
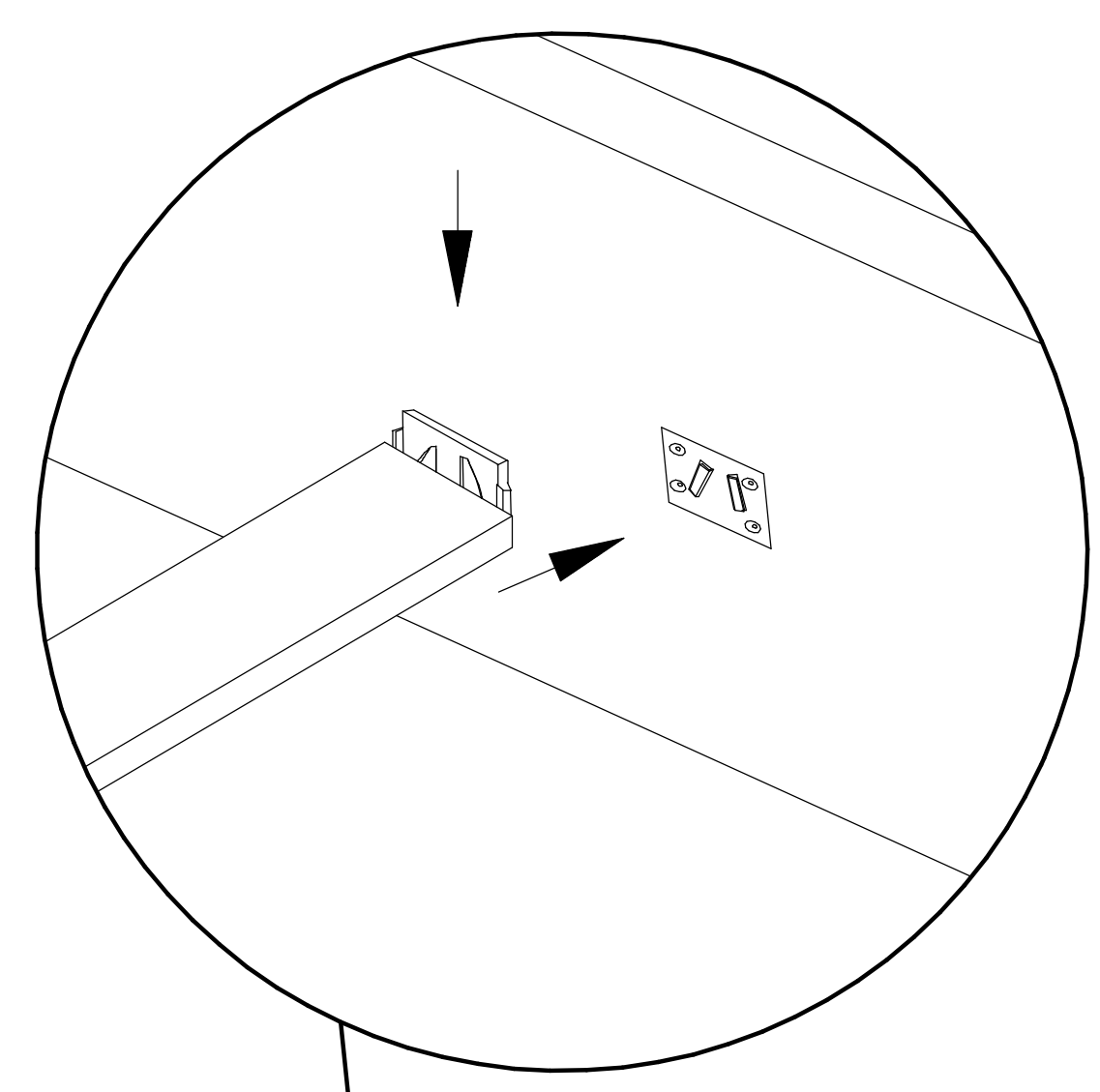
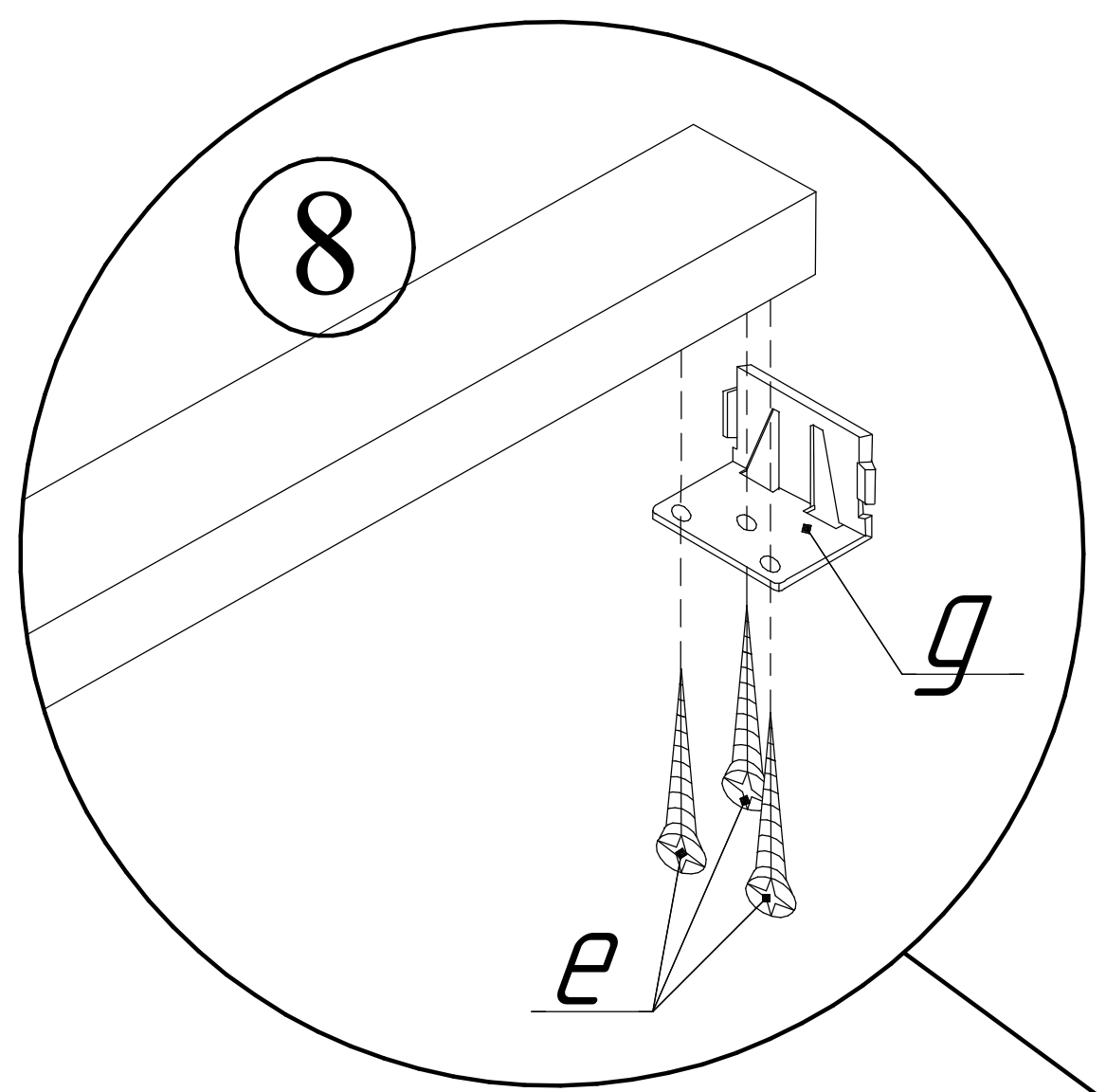
7/11



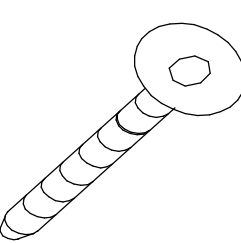
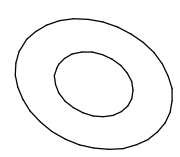
8/11

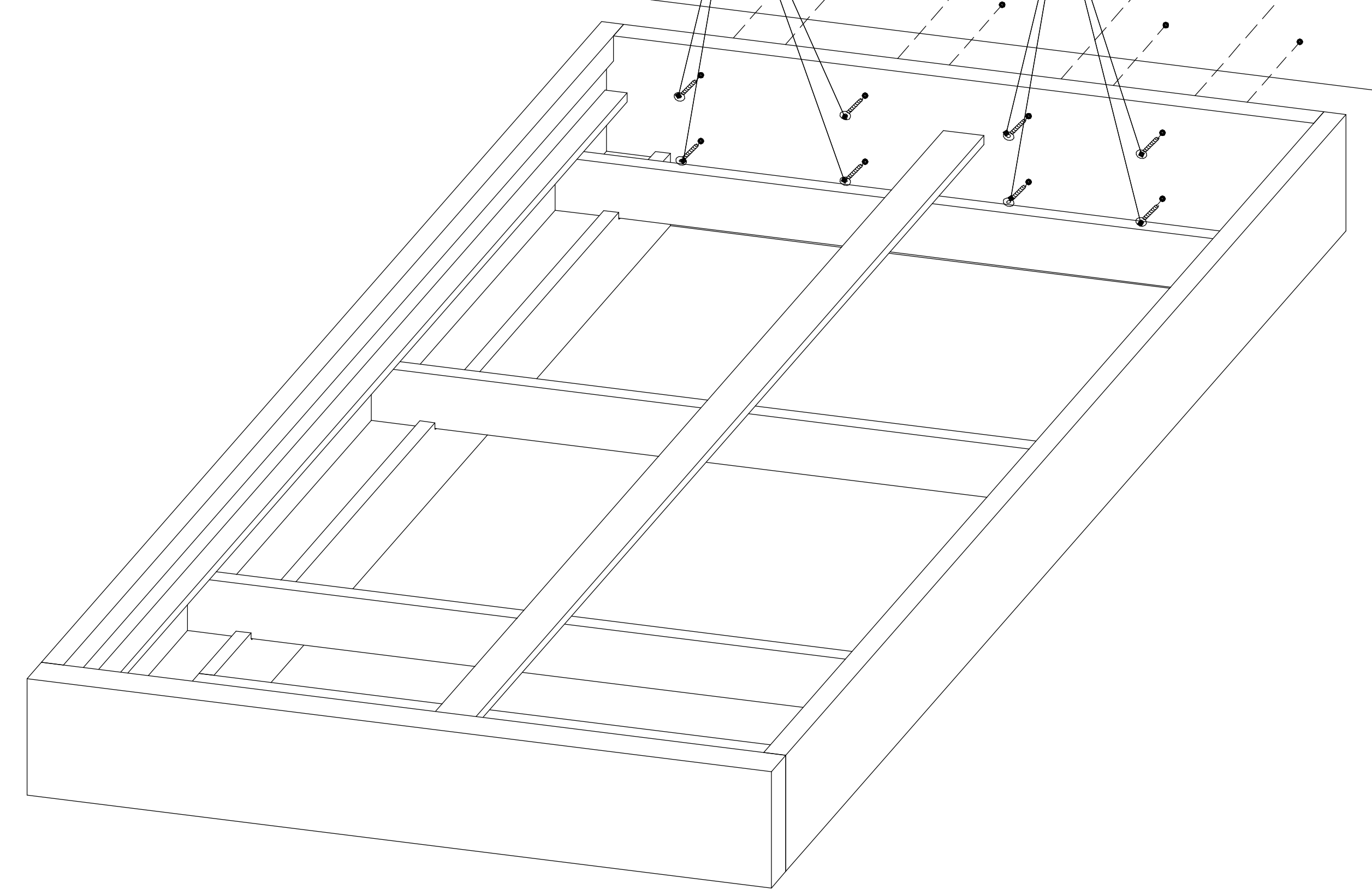
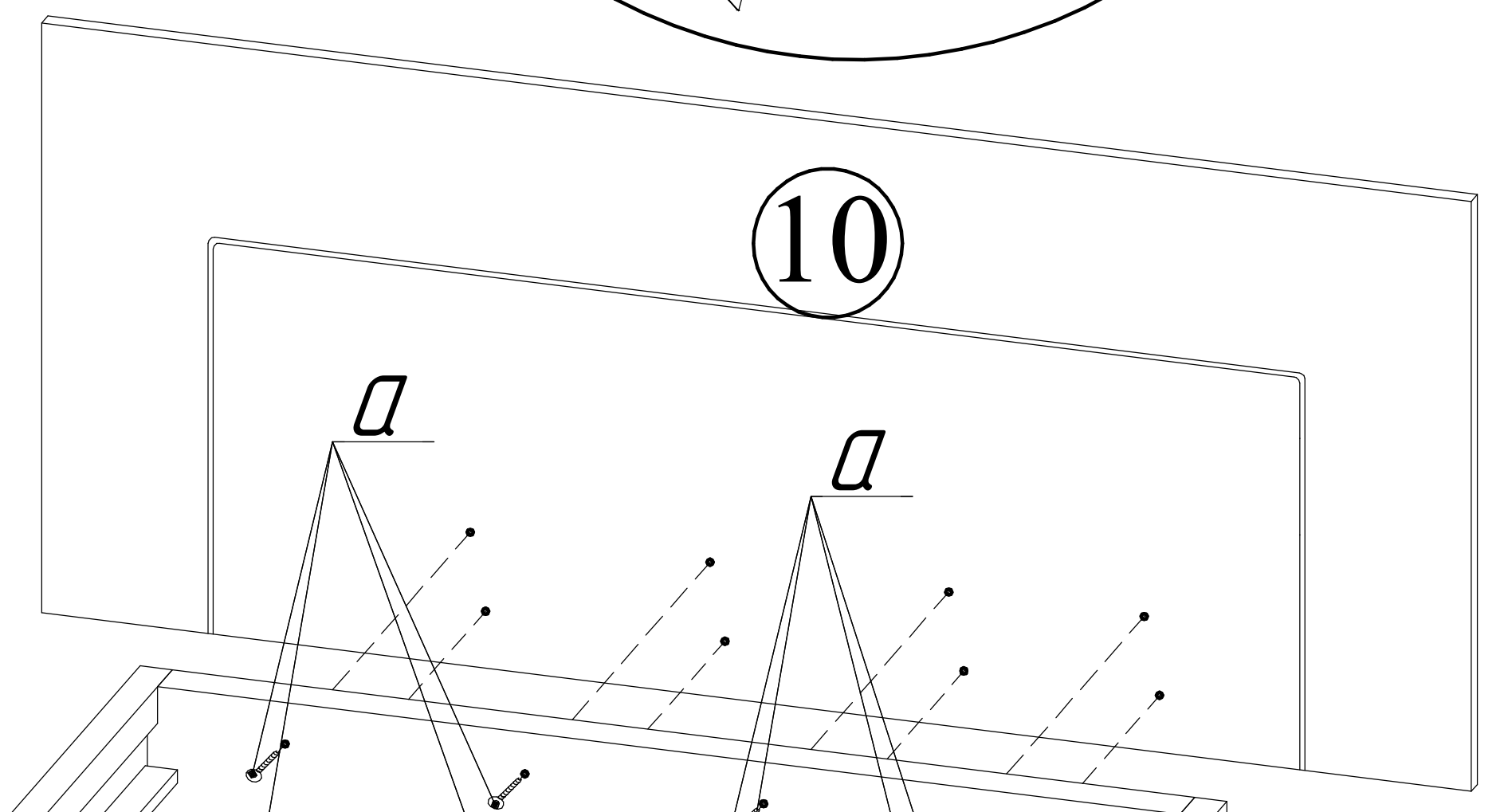
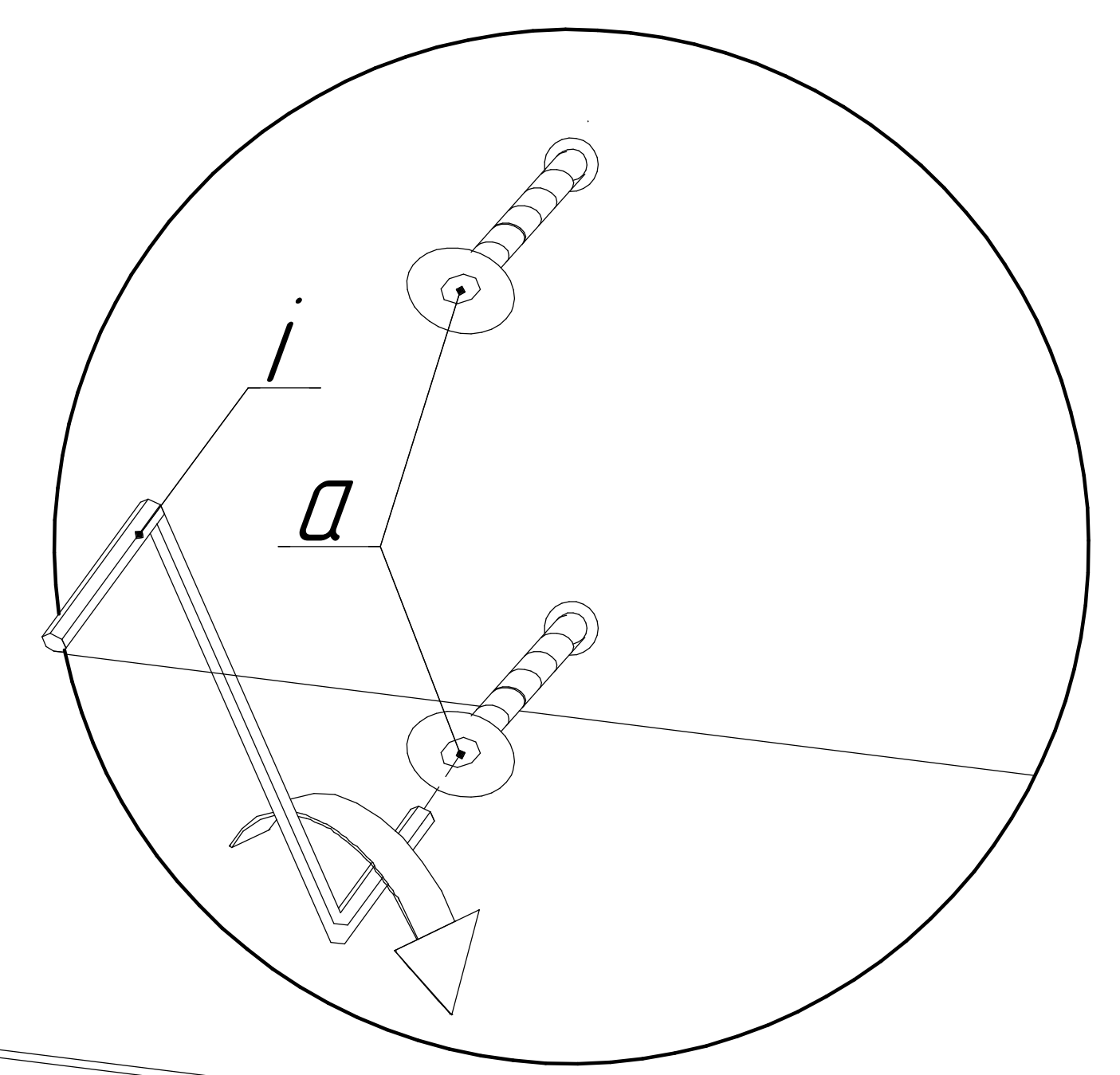


<i>e</i>	<i>g</i>
X6	X2
 4X16	



9/11

<i>a</i>	<i>b</i>
X8	X8
 M6X30	 M6



10/11

*f*  
×12  
4×40

