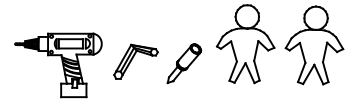
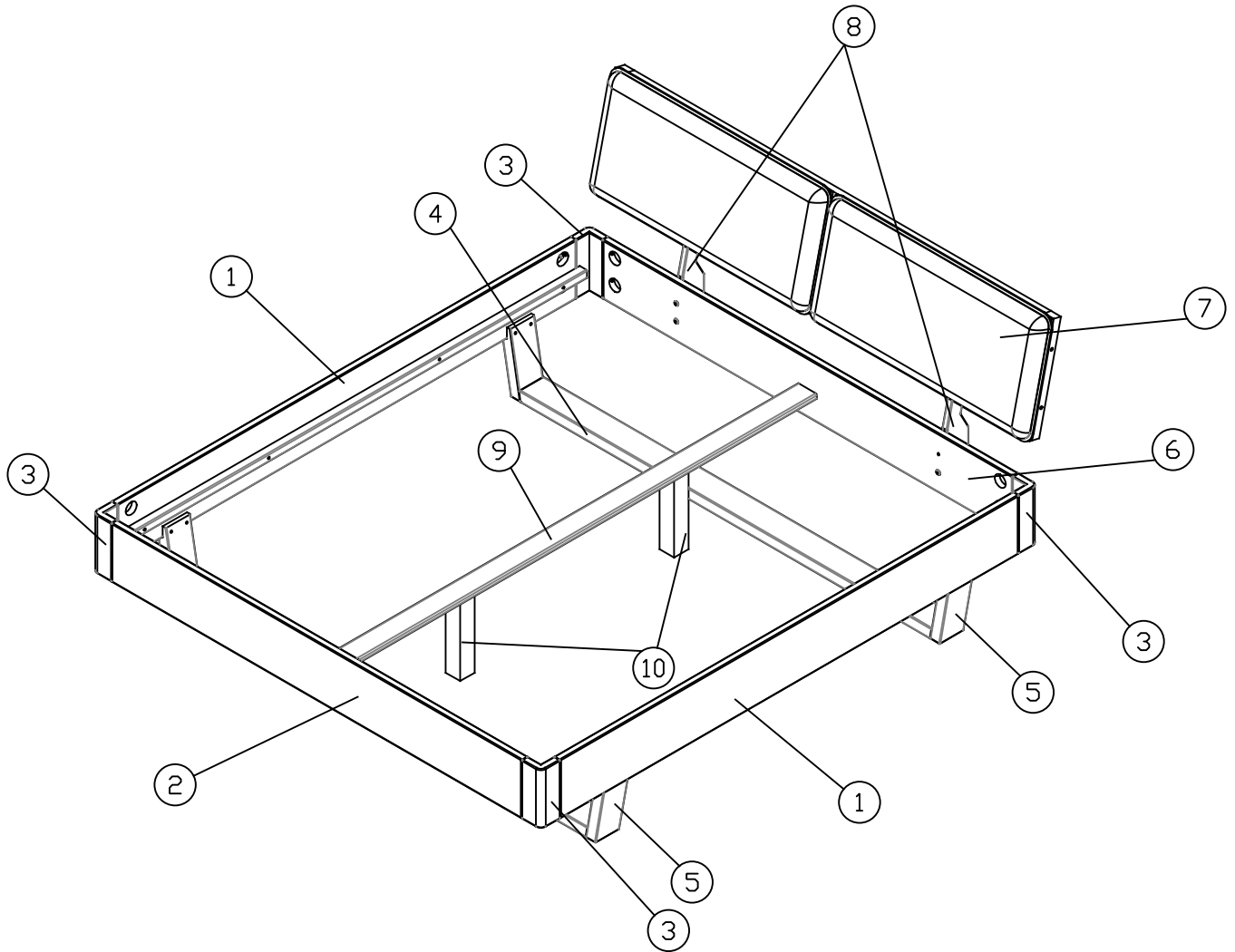




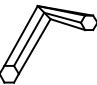










# BED DIANA

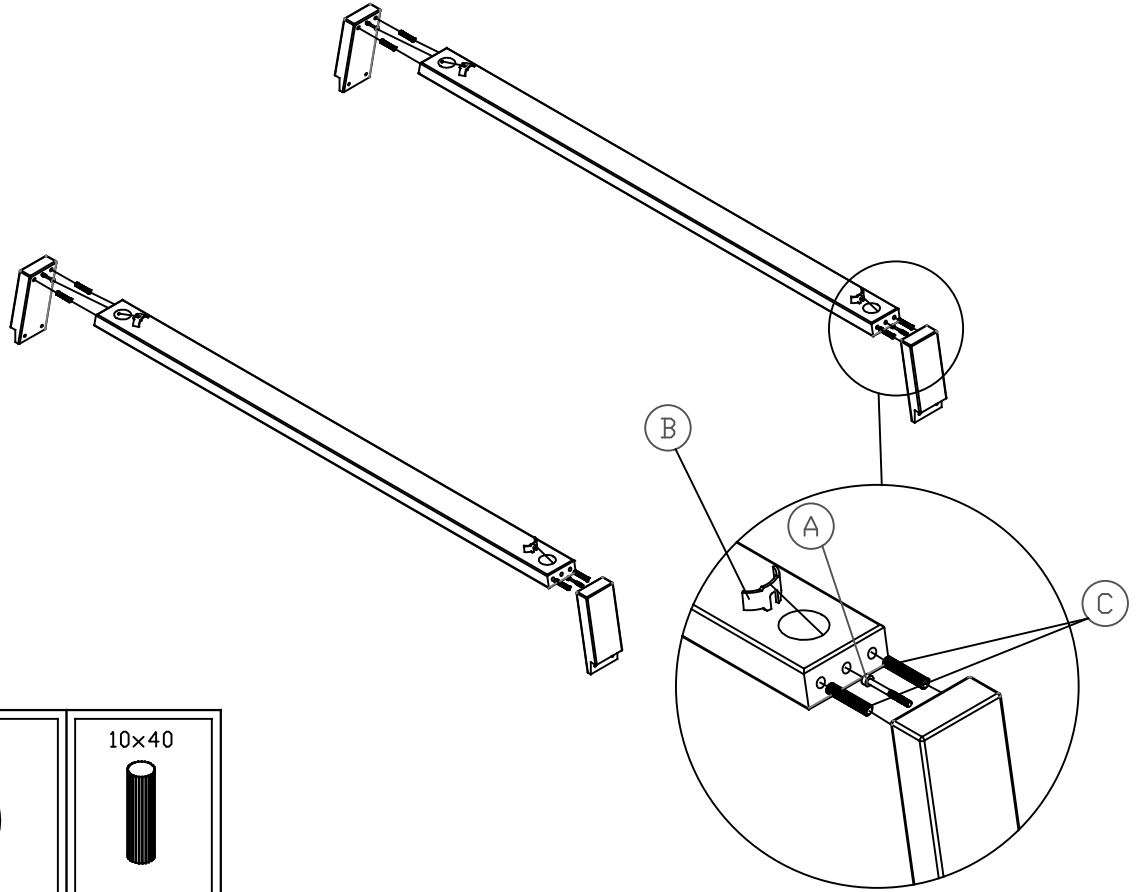
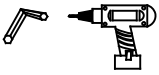


40 Minutes



7x50  Ix8	8x32  Jx4	M6x65  Kx4							
M6x50  Ax20	SW 5  x1	Bx20 	10x40  Cx32	M6x35  Dx8	M6,3x60  Ex4	FX2 	3,5x16  Gx14	Hx2 	SW 4  x1

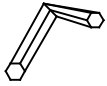
1.



M6x50

SW 5

10x40

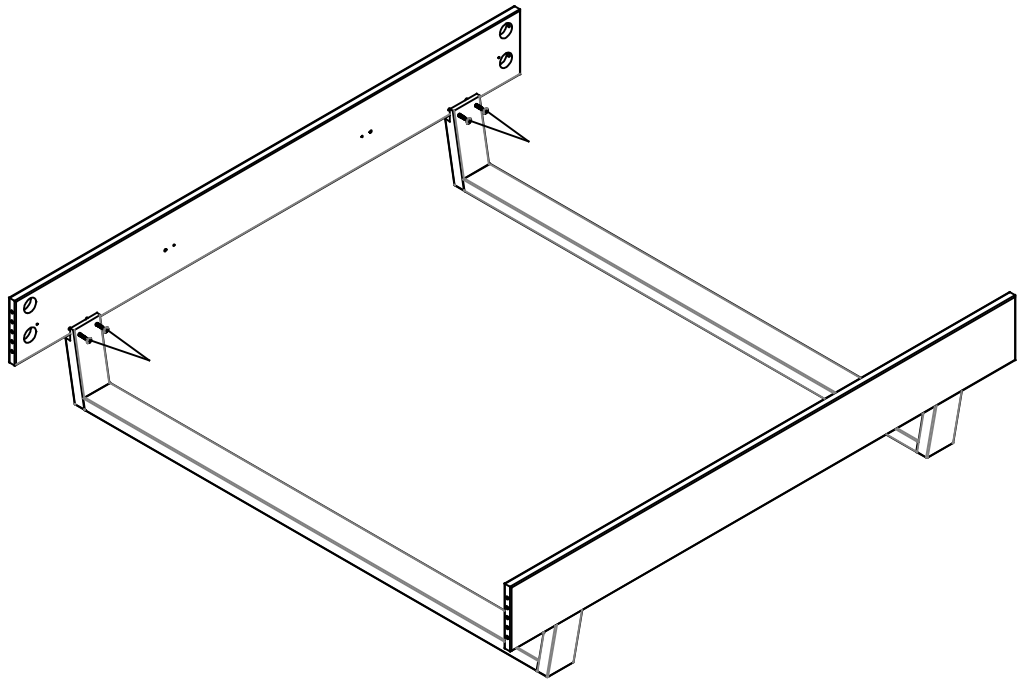
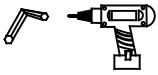


Ax4

Bx4

Cx8

2.



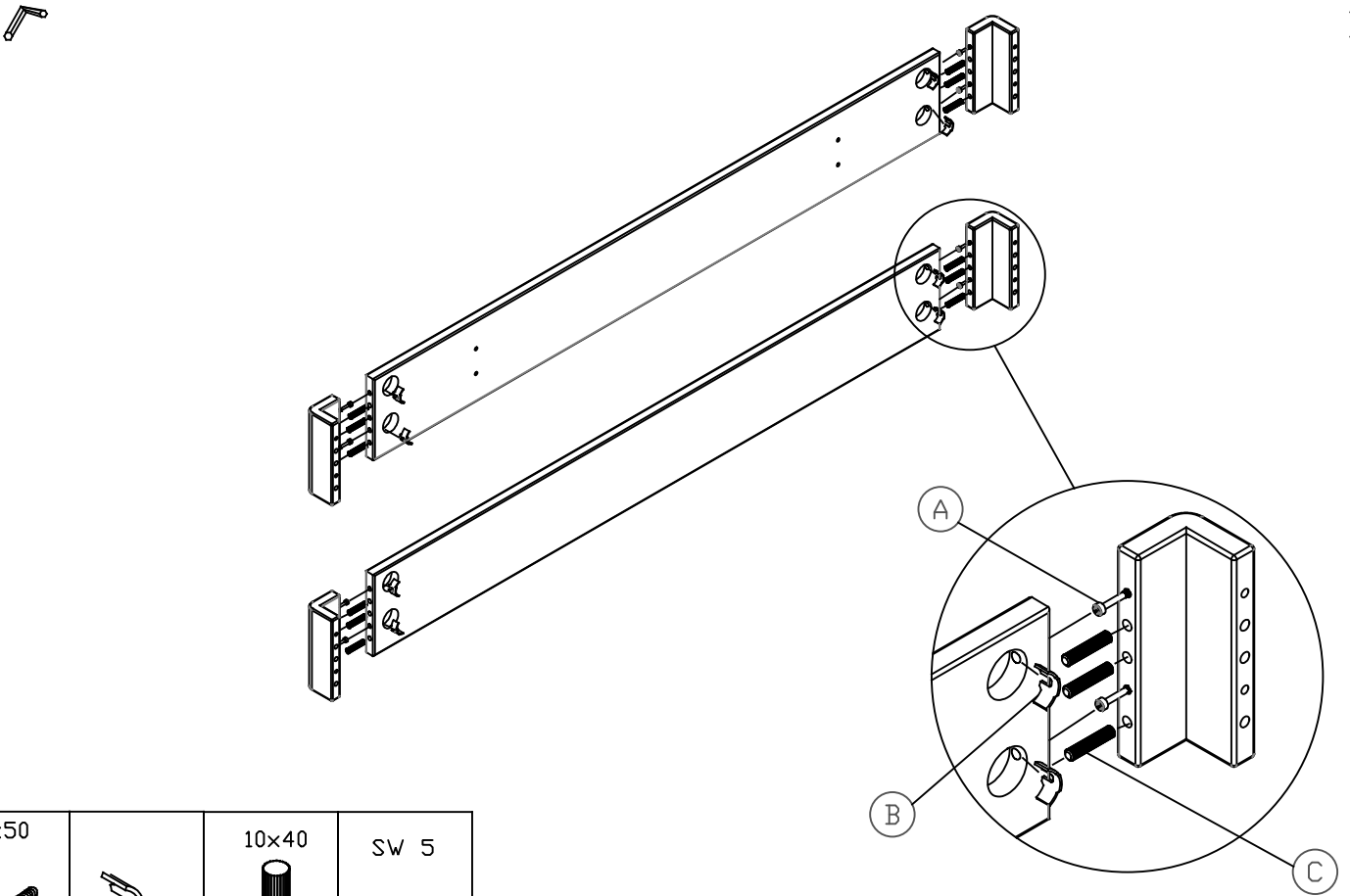
M6x35





SW 4



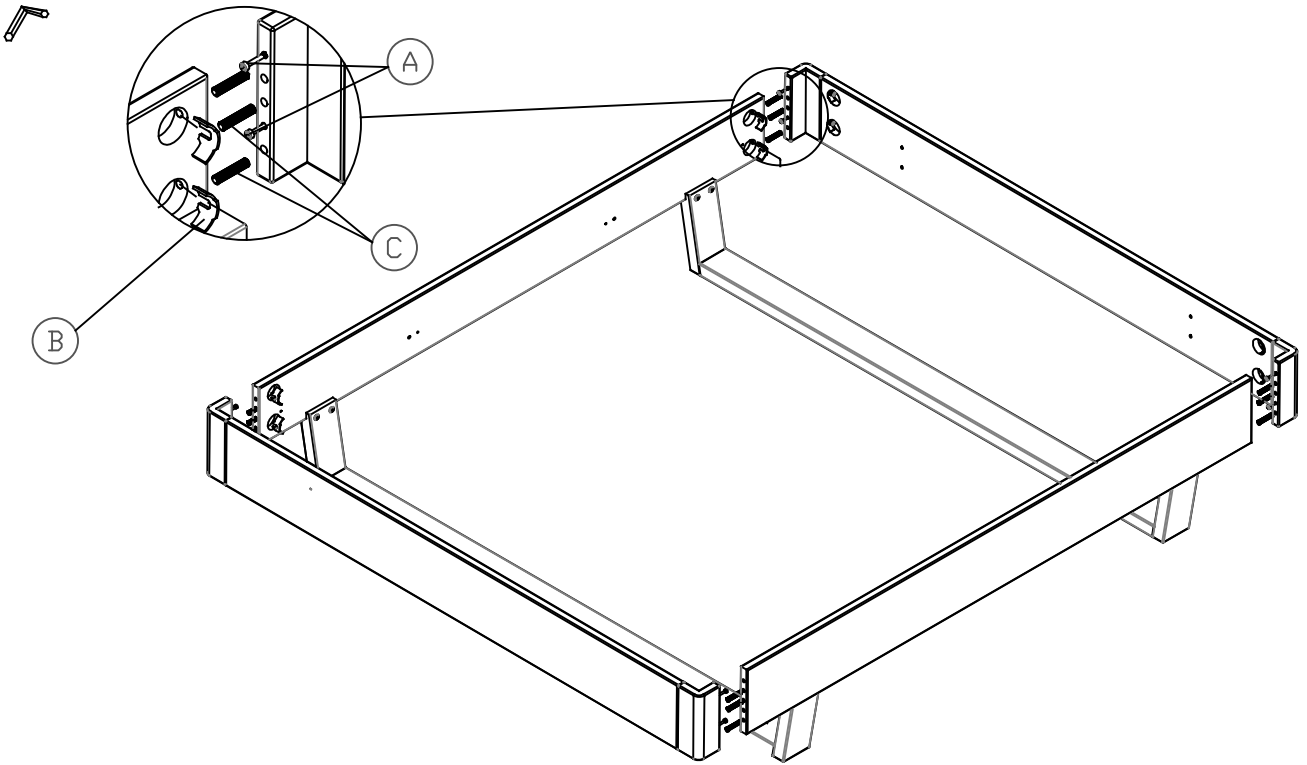
Dx8





3.



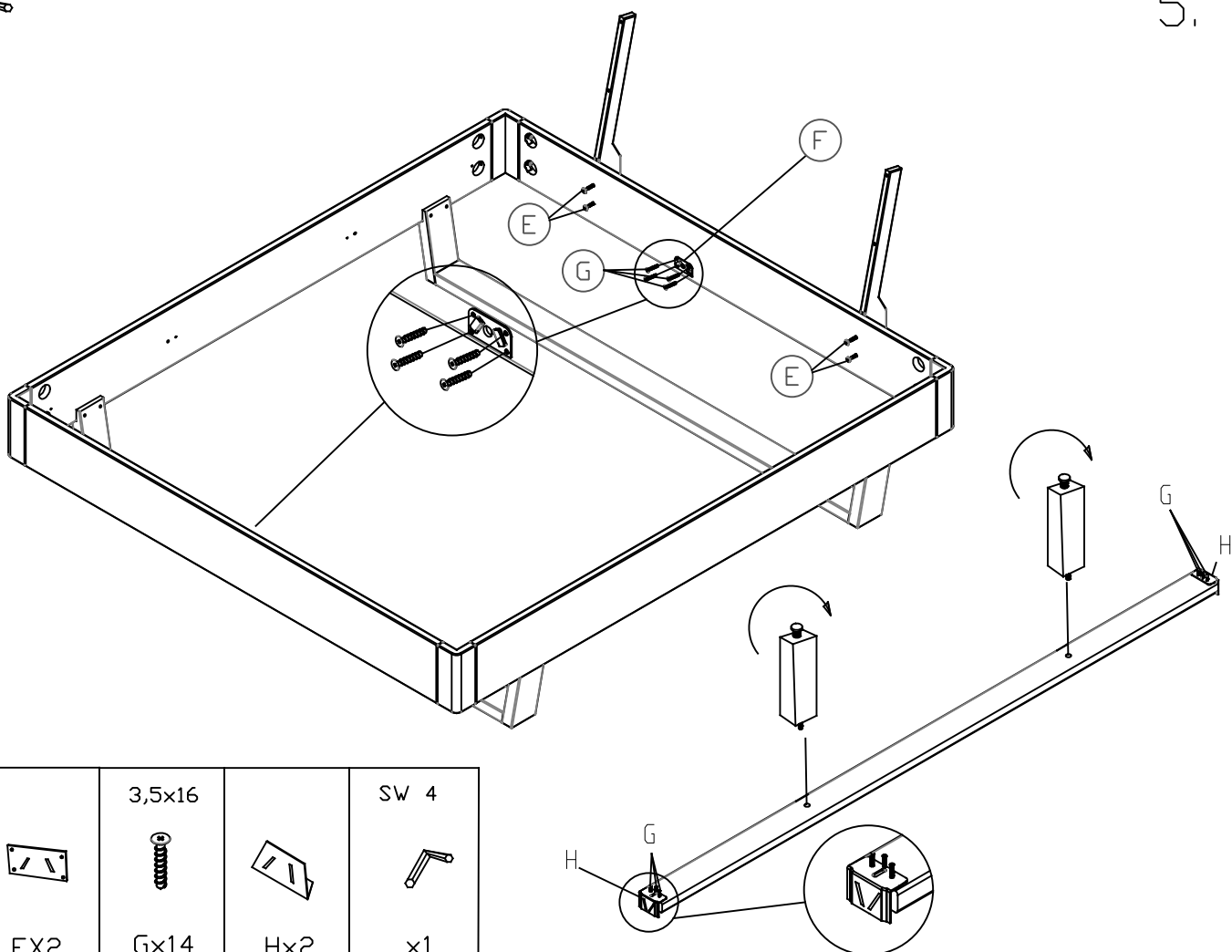
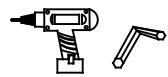
M6x50		10x40	SW 5
			
Ax8	Bx8	Cx12	

4.



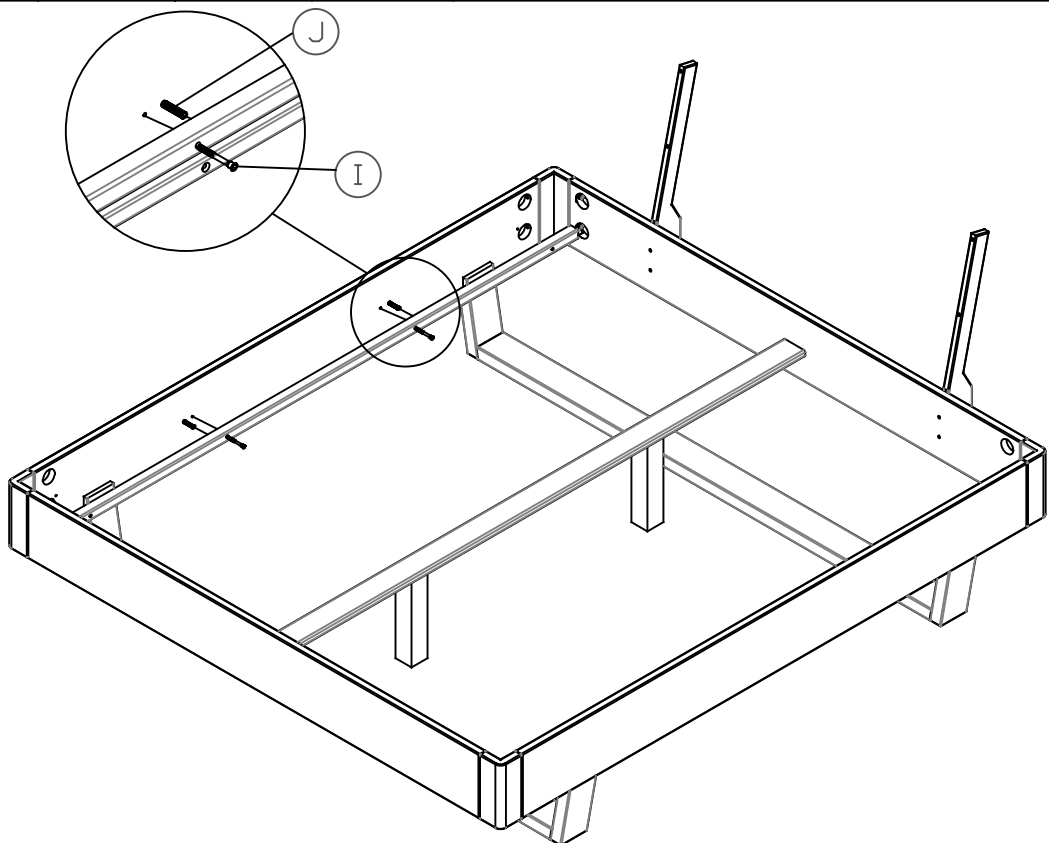
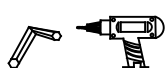
M6x50		10x40	SW 5
			
Ax8	Bx8	Cx12	

5.

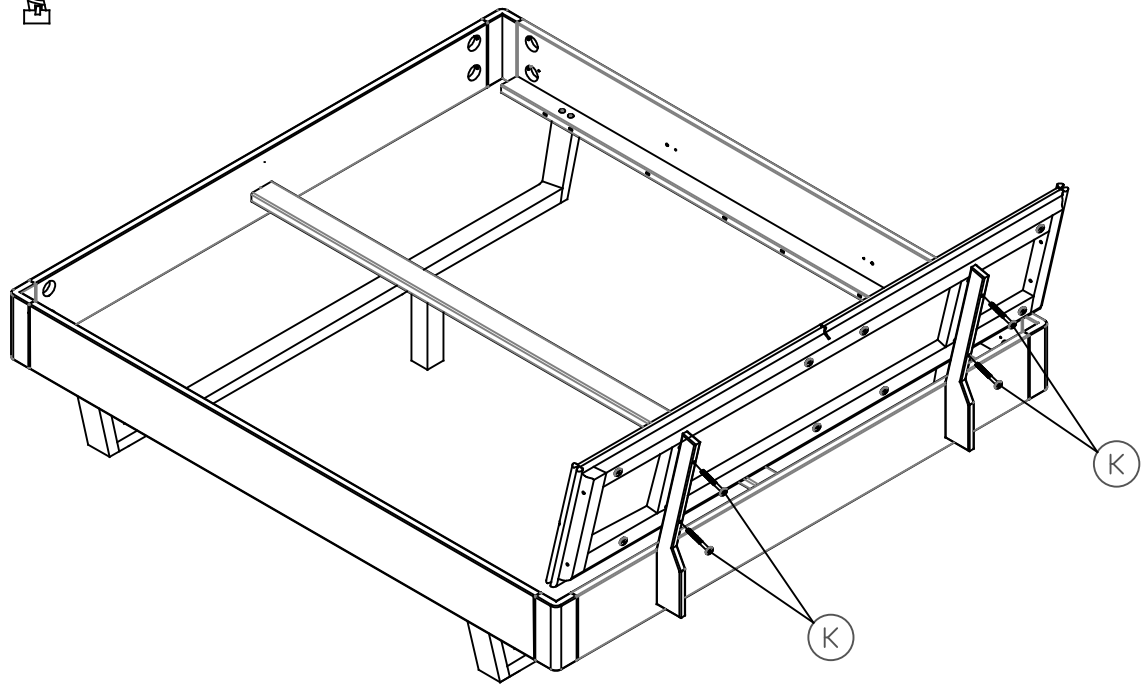
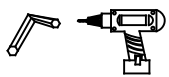


M6,3x60		3,5x16		SW 4
E x 4	FX 2	G x 14	H x 2	x 1

6.



7x50	8x32	SW 5
I x 8	J x 4	



M6x65

SW 4



Kx4

