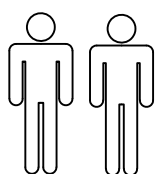
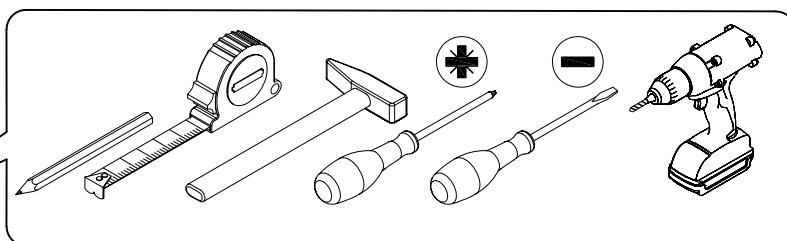
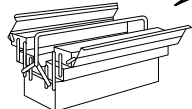
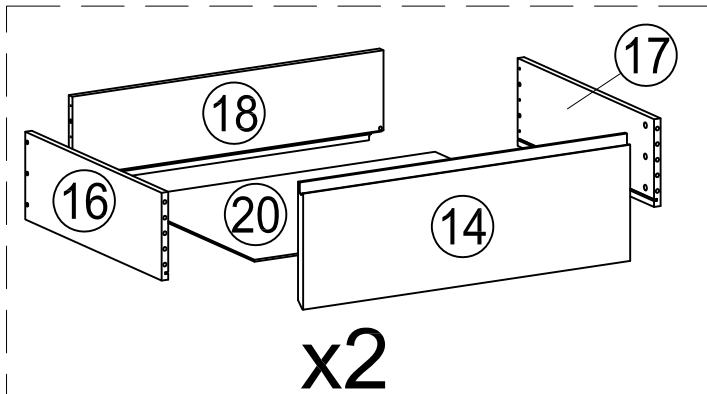
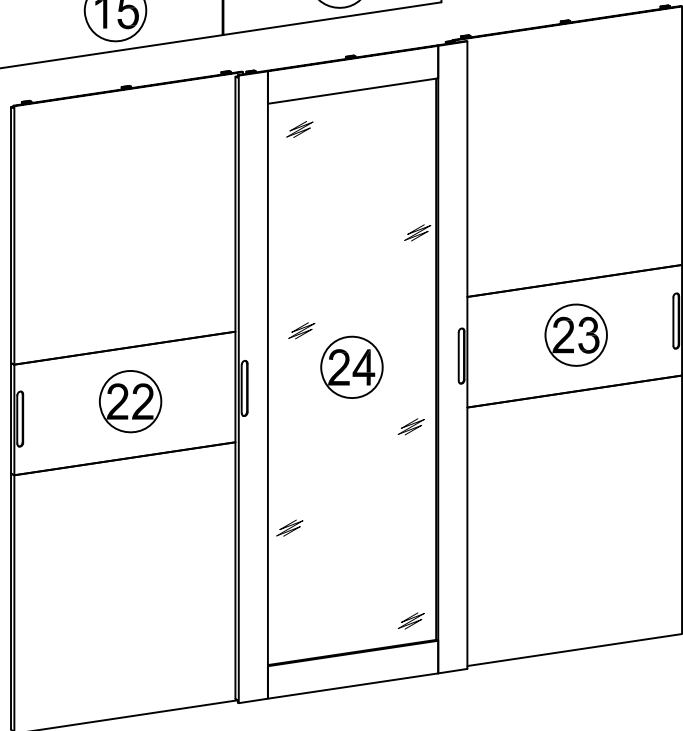
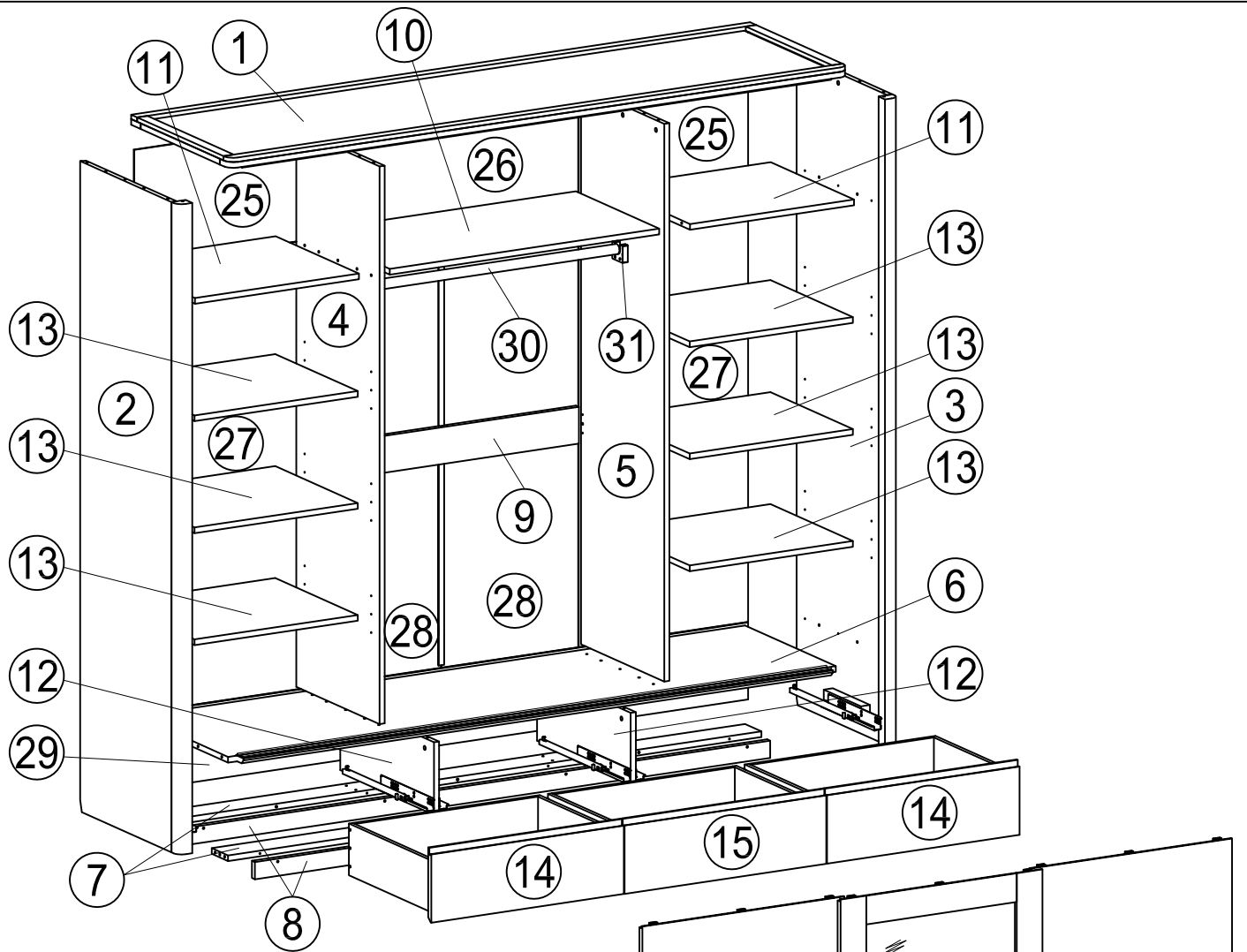


- |                                       |                                   |
|---------------------------------------|-----------------------------------|
| <b>D</b> Montageanleitung             | <b>GB</b> Assembly instructions   |
| <b>FR</b> Notice de montage           | <b>IT</b> Istruzioni di montaggio |
| <b>NL</b> Handleiding voor de montage | <b>PL</b> Instrukcja montażu      |
| <b>CZ</b> Montážní návod              | <b>SK</b> Návod na montáž         |
| <b>HU</b> Szerelési útmutató          | <b>RO</b> Instrucțiuni de montaj  |
| <b>TR</b> Montaj talimatları          | <b>RU</b> Инструкция по монтажу   |



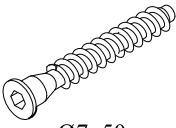
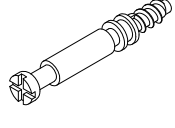
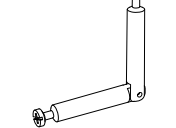
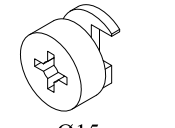
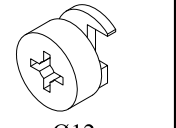
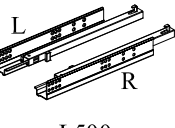
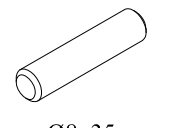

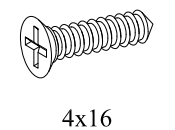
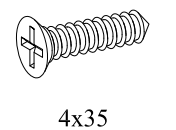
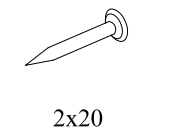
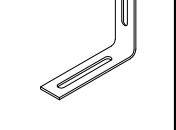
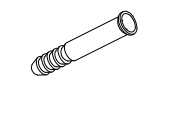

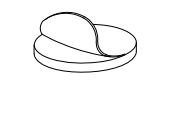
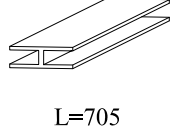
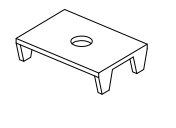
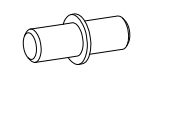
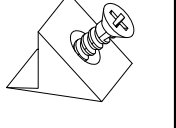

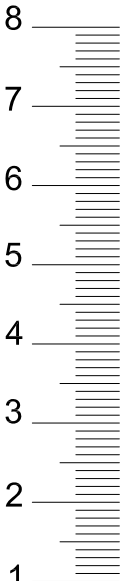
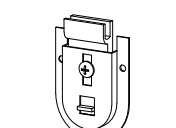
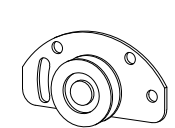
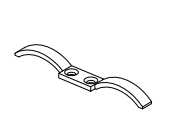
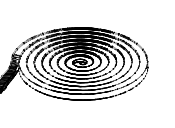
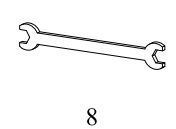
120 min





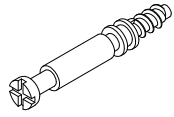
| No | Size/MaB    | Qty | ✓ |
|----|-------------|-----|---|
| 1  | 2204x661x35 | 1   |   |
| 2  | 2265x659x55 | 1   |   |
| 3  | 2265x659x55 | 1   |   |
| 4  | 1942x560x20 | 1   |   |
| 5  | 1942x560x20 | 1   |   |
| 6  | 2160x653x20 | 1   |   |
| 7  | 2160x110x20 | 2   |   |
| 8  | 2090x60x20  | 2   |   |
| 9  | 846x128x20  | 1   |   |
| 10 | 846x560x20  | 1   |   |
| 11 | 637x560x20  | 2   |   |
| 12 | 630x243x20  | 2   |   |
| 13 | 634x555x20  | 6   |   |
| 14 | 681x258x20  | 2   |   |
| 15 | 717x258x20  | 1   |   |

| No | Size/MaB     | Qty | ✓ |
|----|--------------|-----|---|
| 16 | 490x180x15   | 3   |   |
| 17 | 490x180x15   | 3   |   |
| 18 | 644x180x15   | 2   |   |
| 19 | 636x180x15   | 1   |   |
| 20 | 656x487x3.2  | 2   |   |
| 21 | 648x487x3.2  | 1   |   |
| 22 | 1930x718x20  | 1   |   |
| 23 | 1930x718x20  | 1   |   |
| 24 | 1930x718x20  | 1   |   |
| 25 | 658x403x3.2  | 2   |   |
| 26 | 864x403x3.2  | 1   |   |
| 27 | 1558x658x3.2 | 2   |   |
| 28 | 1558x431x3.2 | 2   |   |
| 29 | 2184x268x3.2 | 1   |   |
| 30 | 842x35x24    | 1   |   |
| 31 | 60x70x20     | 2   |   |

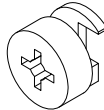
|   |  |  |   |  |  |   |
|---|--|--|---|--|--|---|
| <b>A1</b> x22<br><br>Ø7x50  | <b>B1</b> x62<br>         | <b>B4</b> x6<br>          | <b>C1</b> x56<br><br>Ø15   | <b>C2</b> x18<br><br>Ø12 | <b>F1</b> x3<br><br>L500  | <b>K1</b> x68<br><br>Ø8x35 |
| <b>J1</b> x63<br><br>3.5x16 | <b>J2</b> x67<br><br>4x16 | <b>J4</b> x22<br><br>4x35 | <b>J9</b> x52<br><br>2x20  | <b>P1</b> x2<br>         | <b>G1</b> x2<br>          | <b>V1</b> x2<br>           |
| <b>R1</b> x8<br>            | <b>Y1</b> x2<br><br>L=705 | <b>W1</b> x57<br>         | <b>Z2</b> x24<br>          | <b>Z3</b> x12<br>        | <b>O1</b> x1<br><br>k4 mm |                            |
| <b>W71</b> x9<br>           | <b>W72</b> x6<br>         | <b>W73</b> x3<br>         | <b>Y3</b> x4<br><br>L=1930 |  |  |   |
| <b>O7</b> x1<br><br>8       |  |  |   |  |  |   |

1

B1 x20

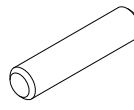


C1 x8



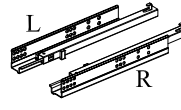
Ø15

K1 x4



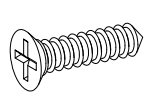
Ø8x35

F1 x1

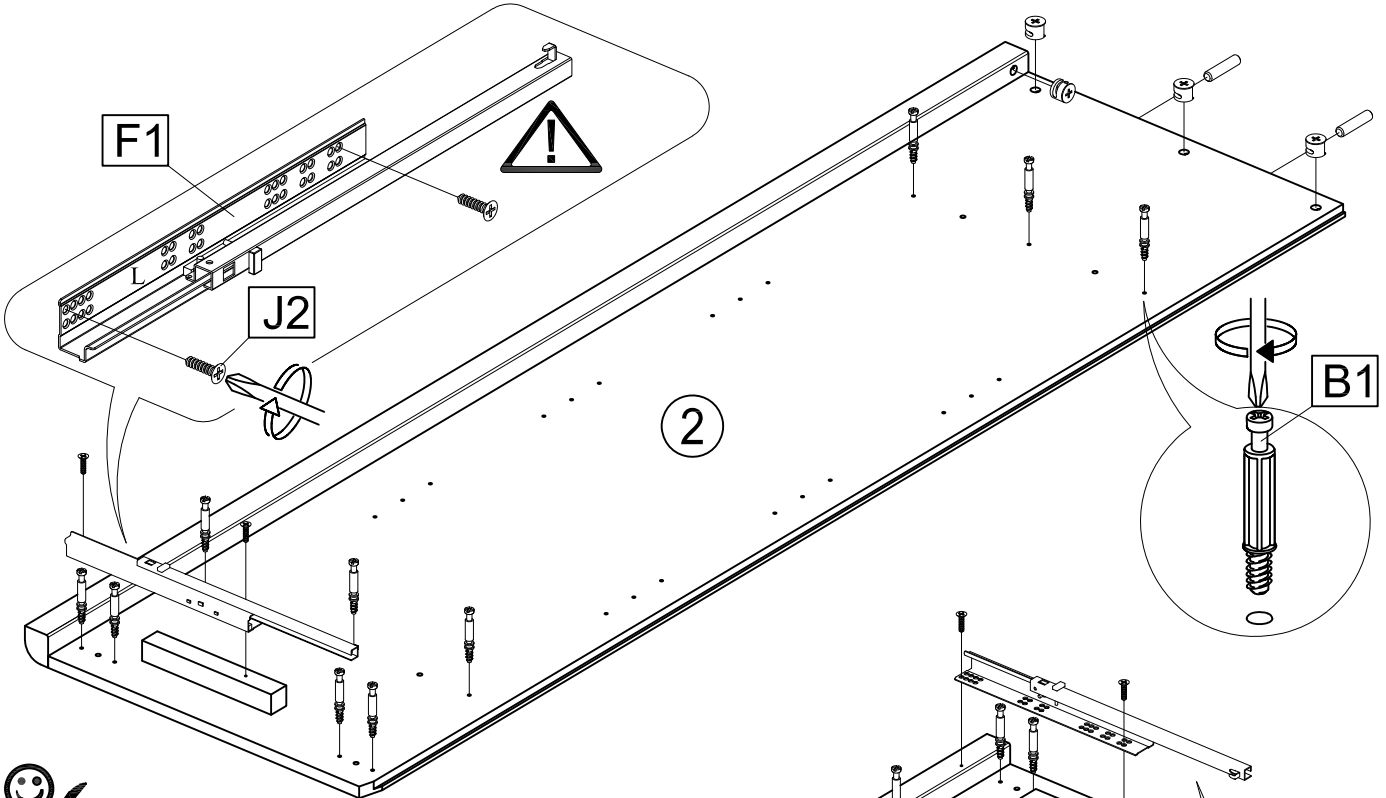


L500

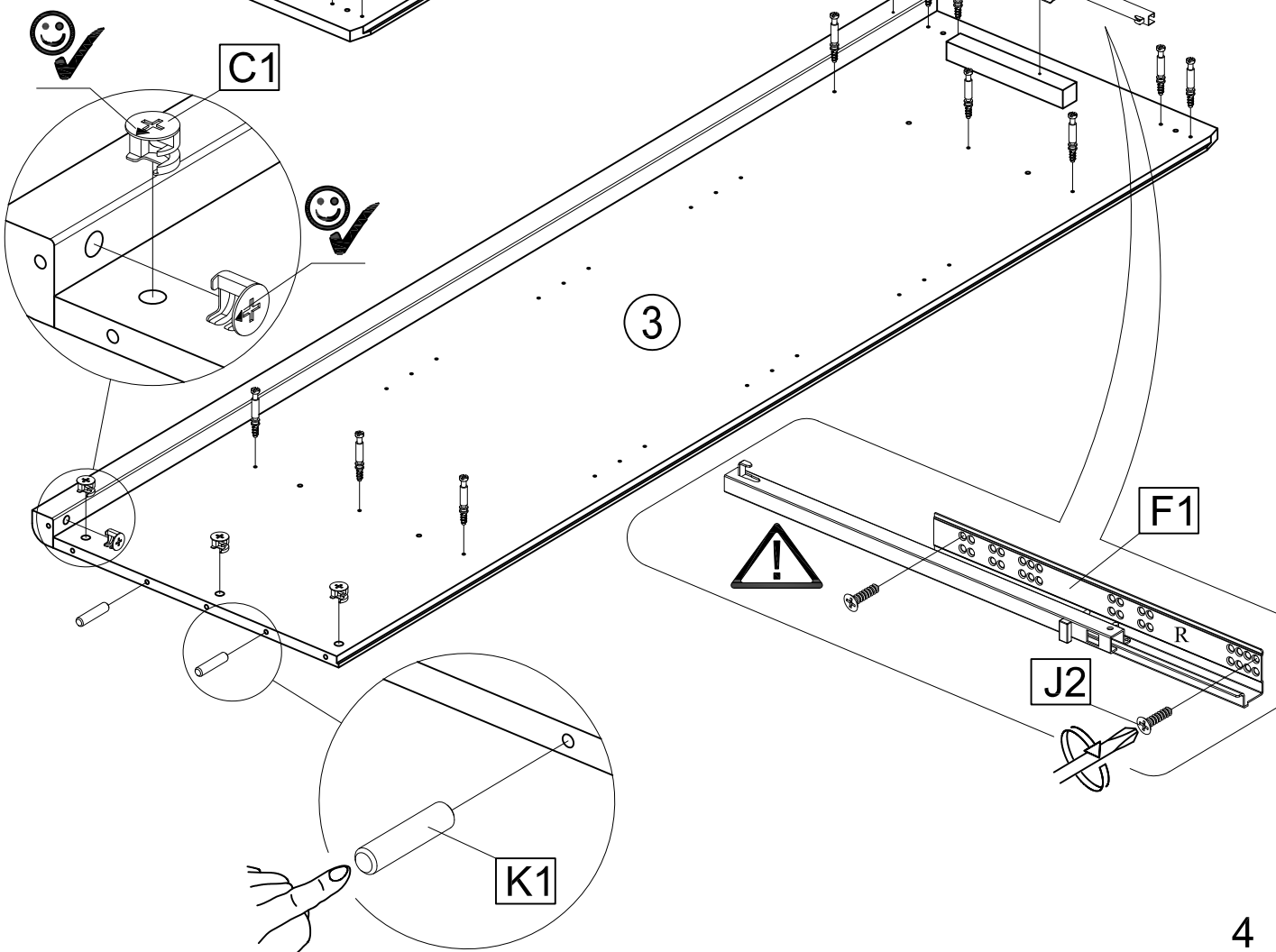
J2 x4



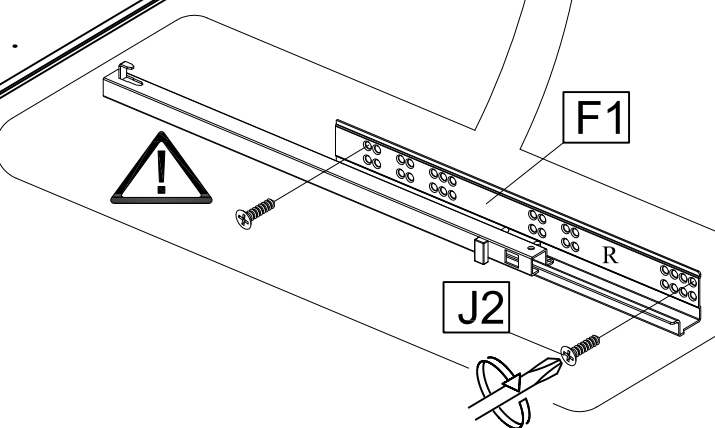
4x16



2



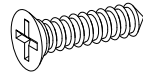
3



4

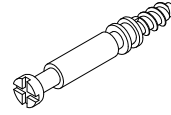
2

J4 x4

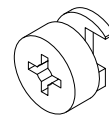


4x35

B1 x4

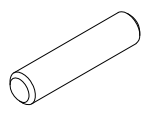


C1 x6

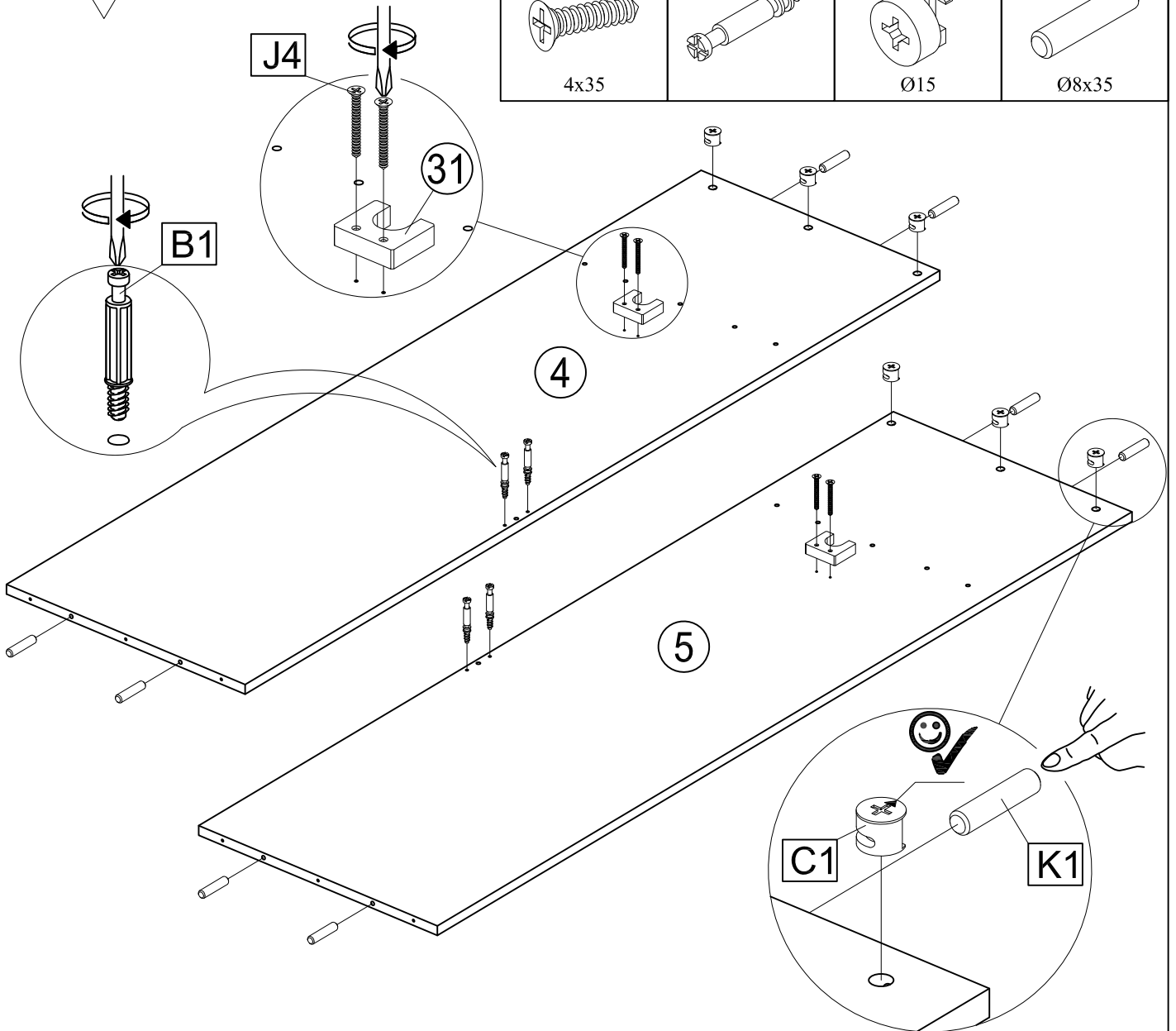


Ø15

K1 x8

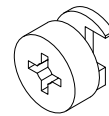


Ø8x35



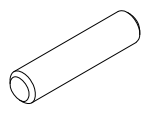
3

C1 x18

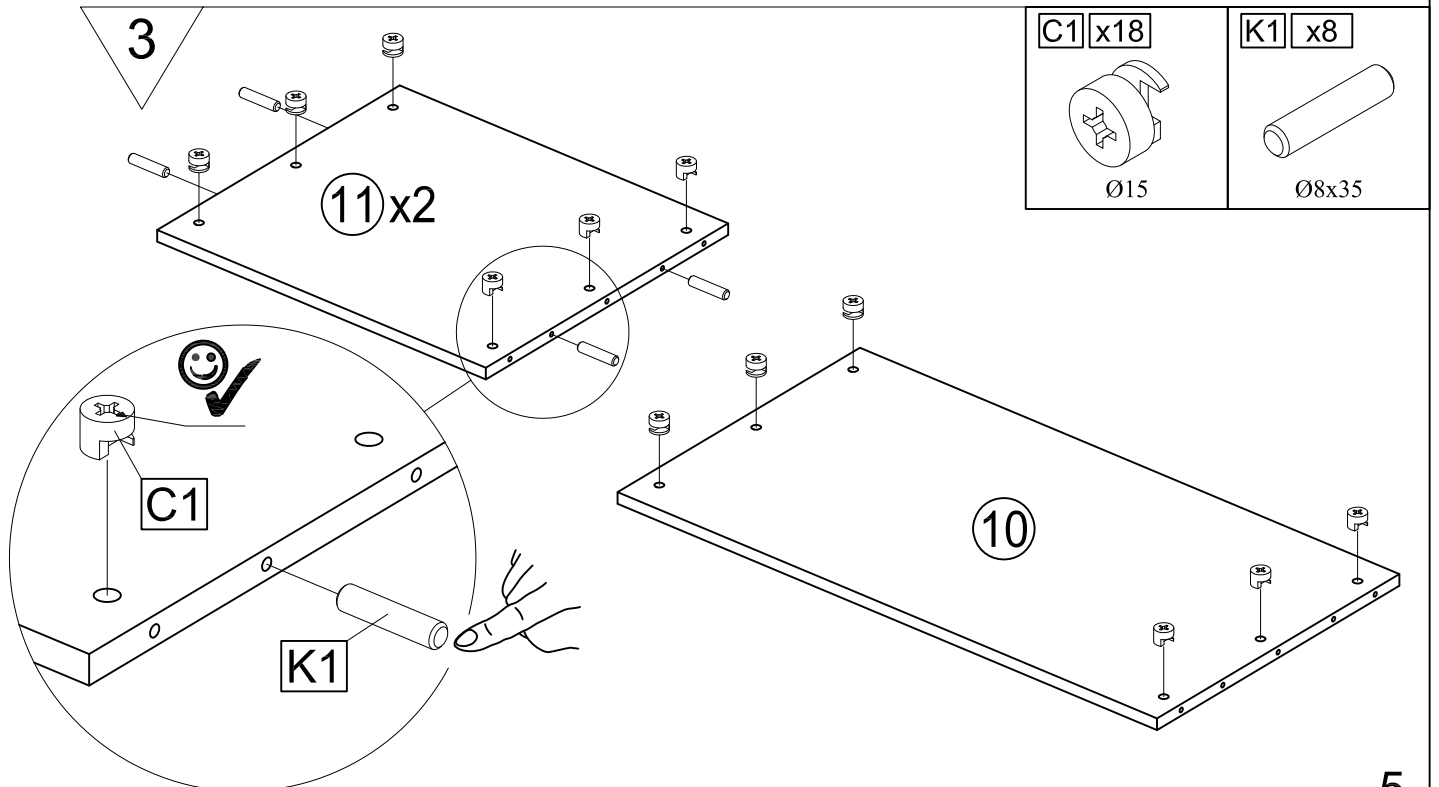


Ø15

K1 x8

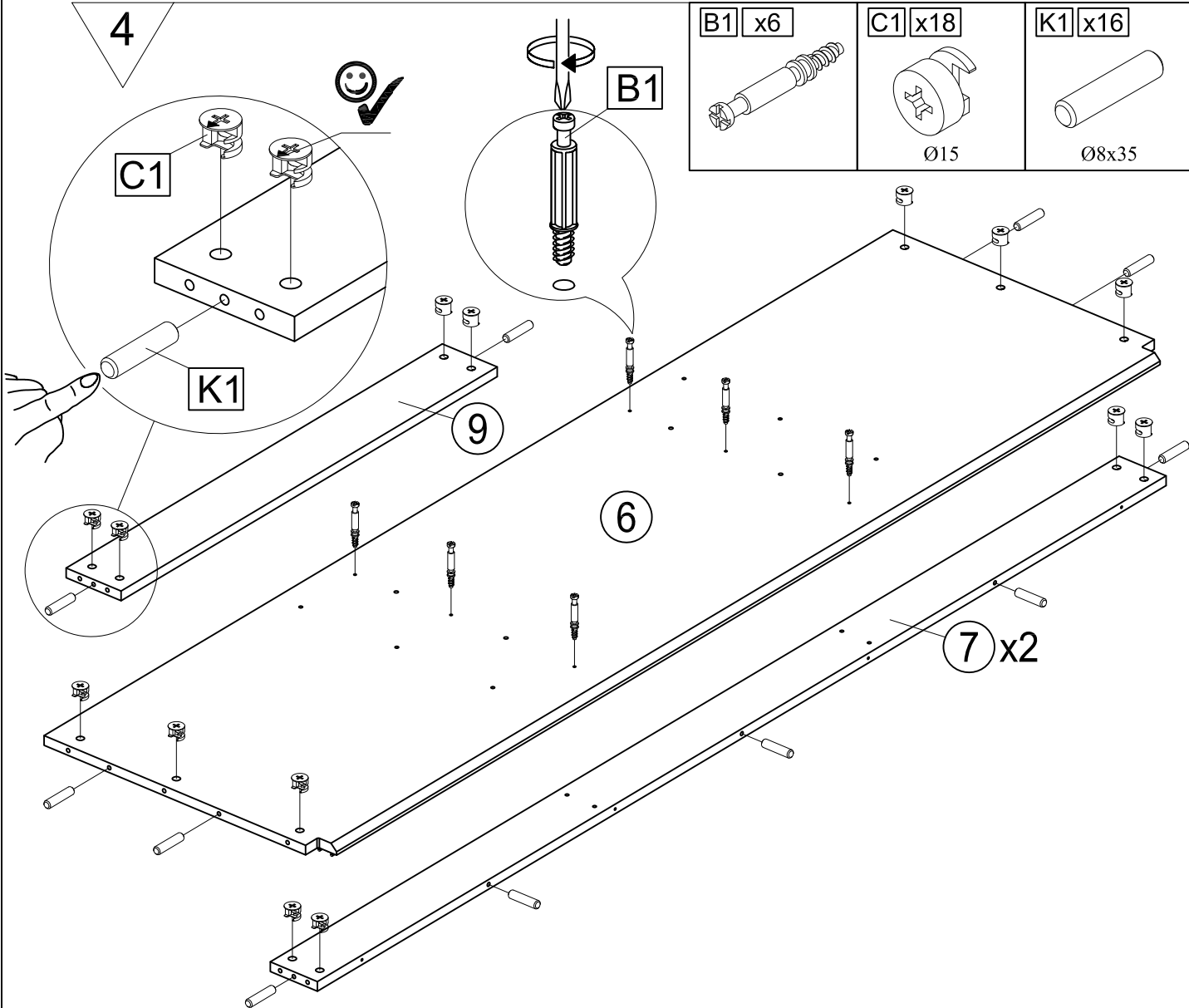


Ø8x35



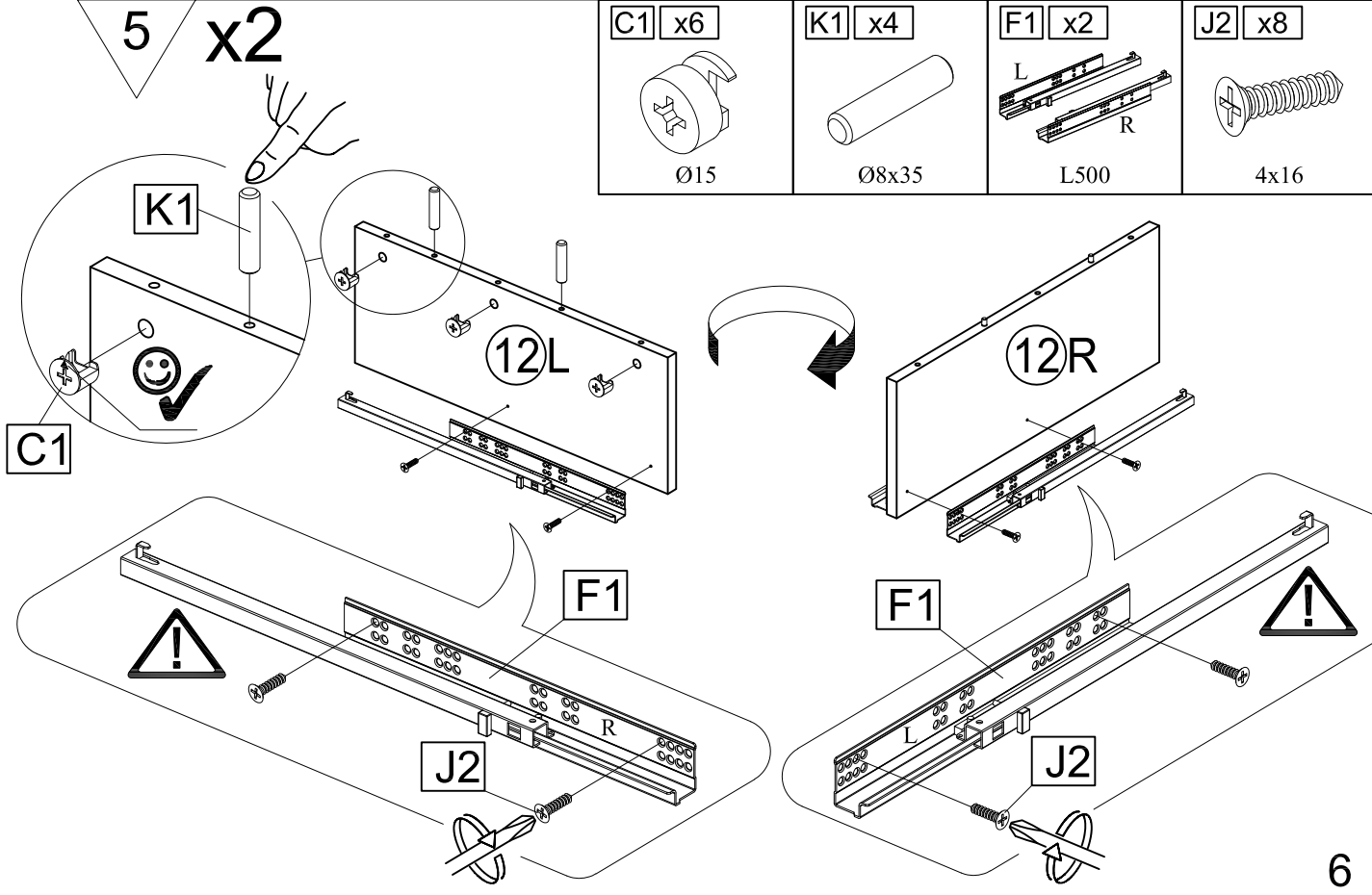
4

|              |               |               |
|--------------|---------------|---------------|
| <b>B1</b> x6 | <b>C1</b> x18 | <b>K1</b> x16 |
|              | <br>Ø15       | <br>Ø8x35     |

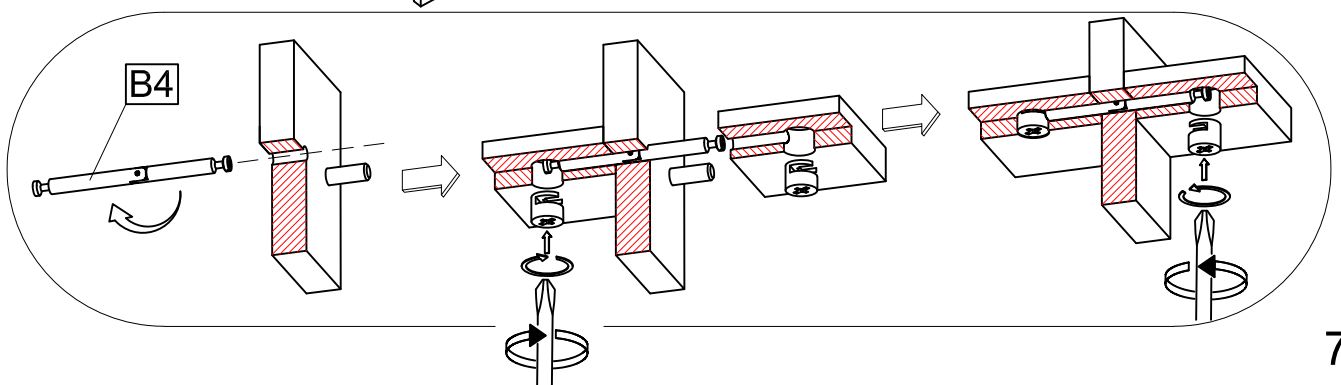
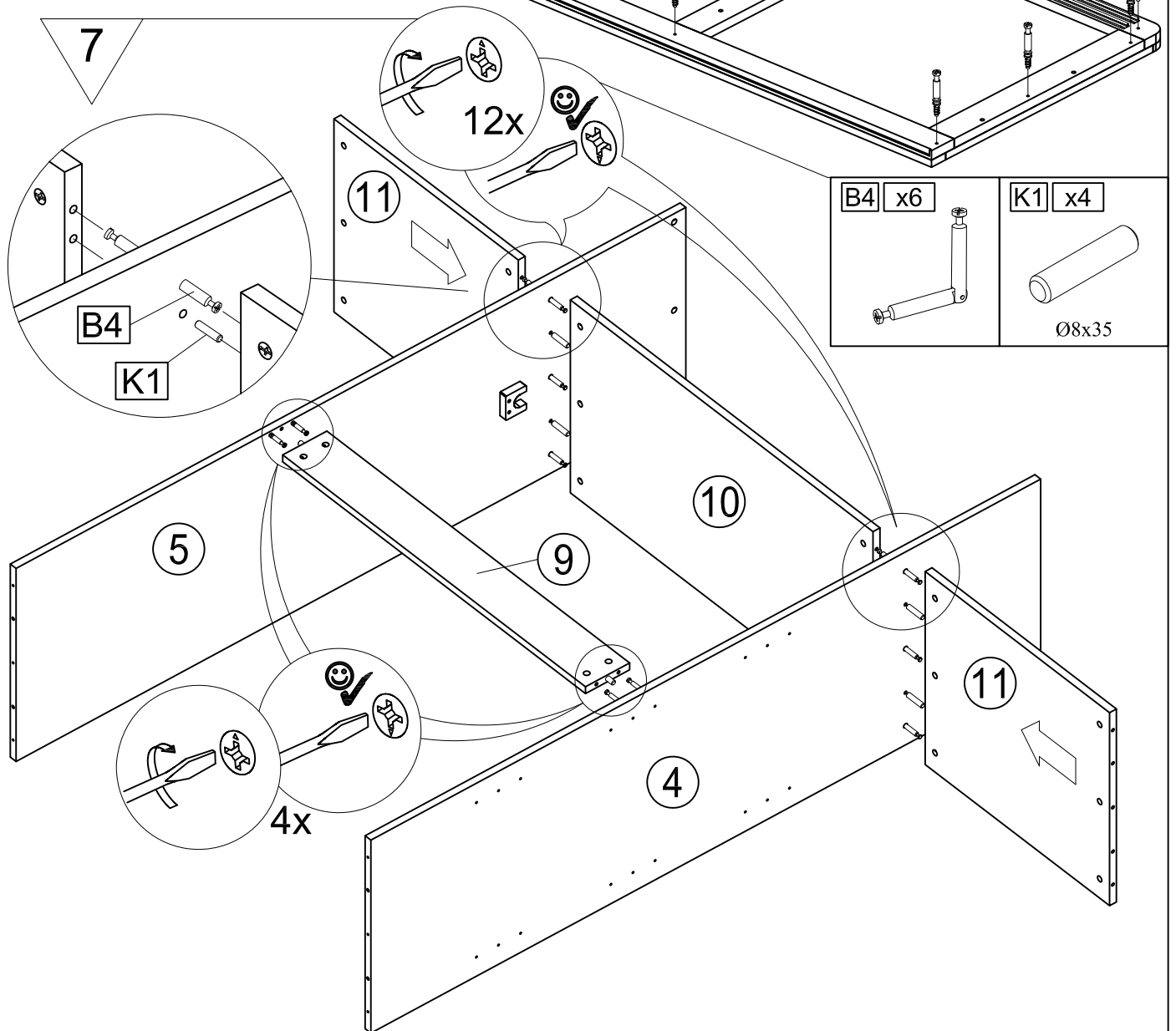
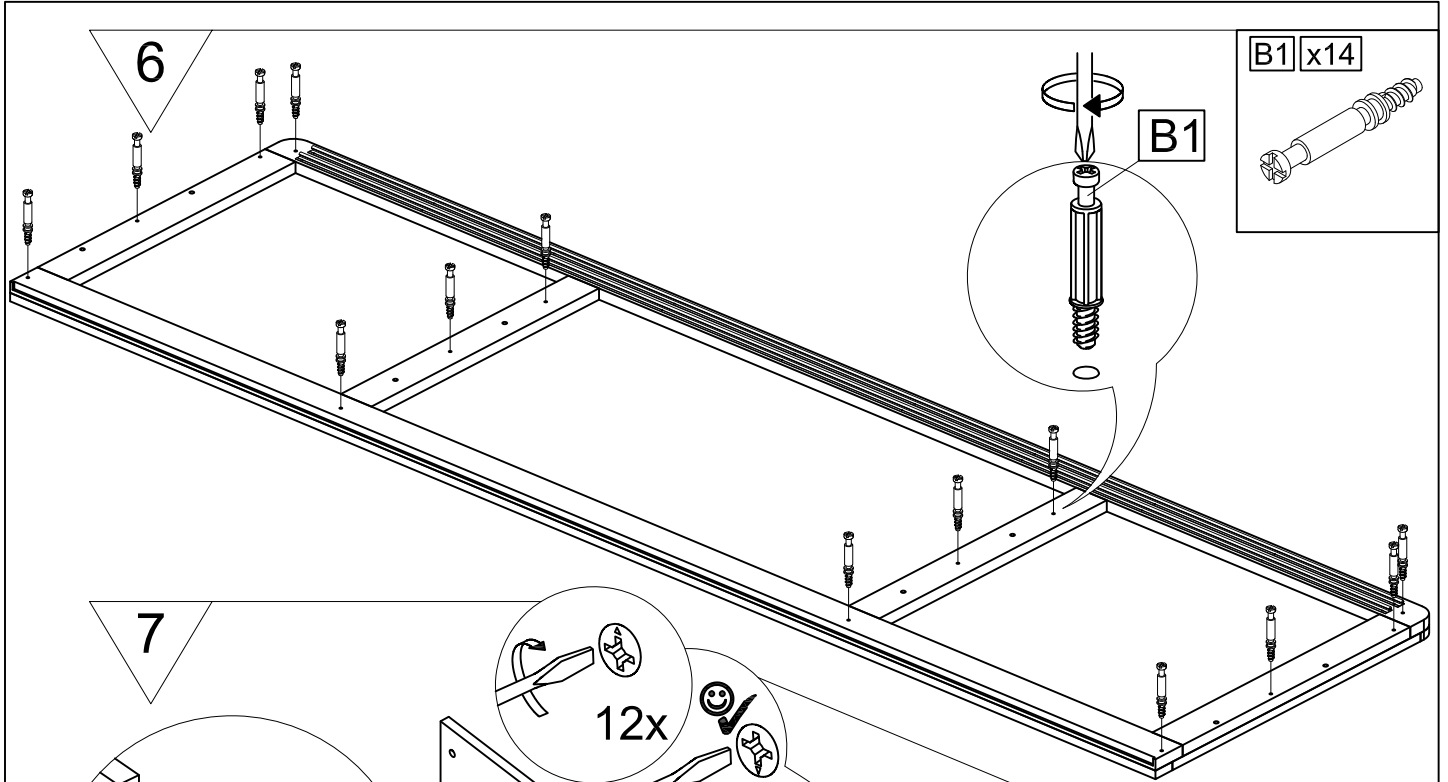


5 x2

|              |              |                 |              |
|--------------|--------------|-----------------|--------------|
| <b>C1</b> x6 | <b>K1</b> x4 | <b>F1</b> x2    | <b>J2</b> x8 |
| <br>Ø15      | <br>Ø8x35    | <br>L500<br>L R | <br>4x16     |



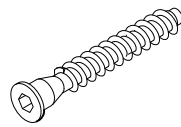
6



8

A1 x6

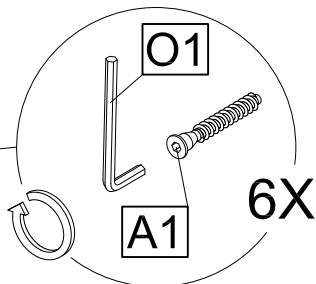
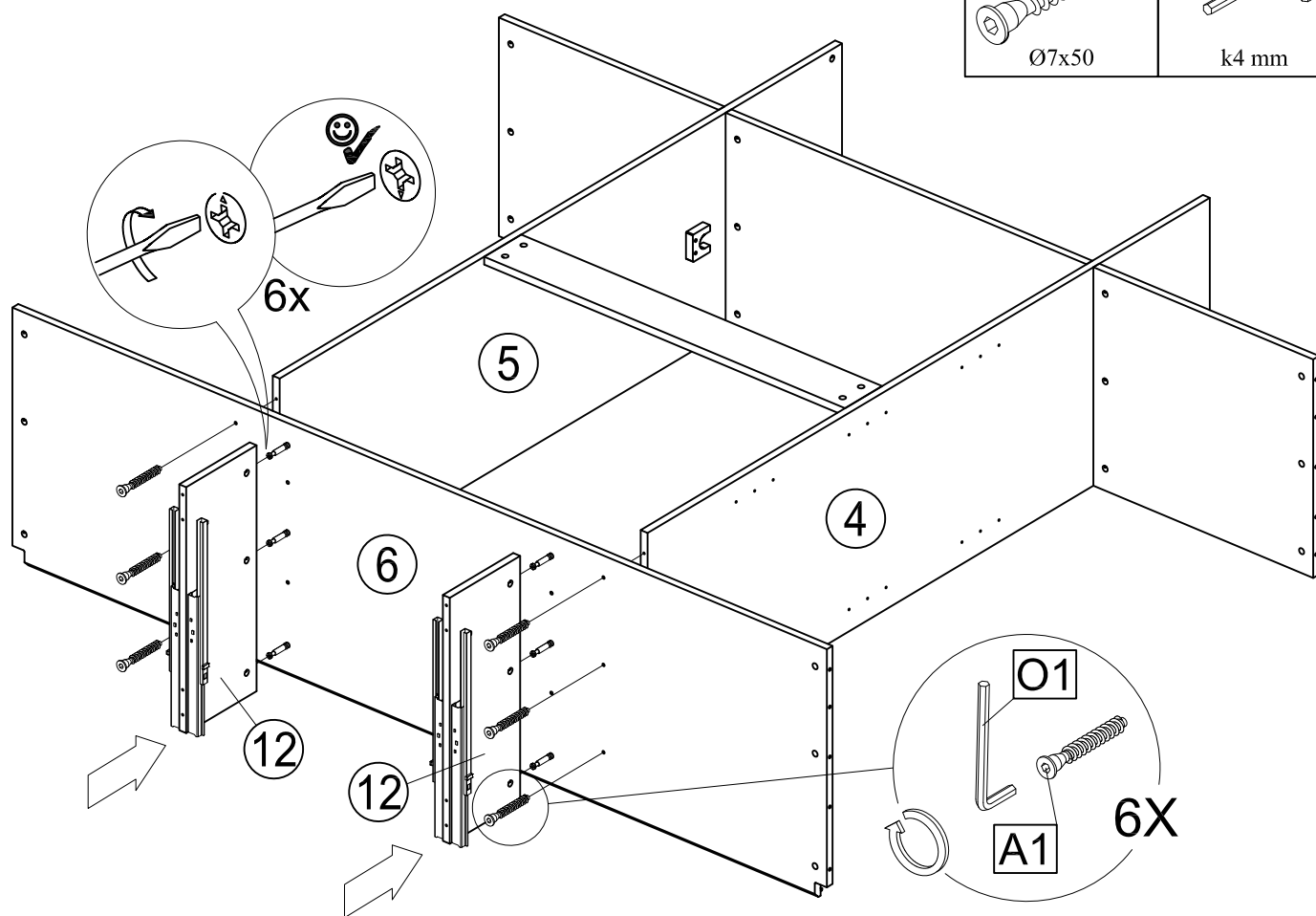
O1 x1



Ø7x50



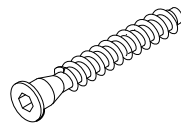
k4 mm



9 x2

A1 x8

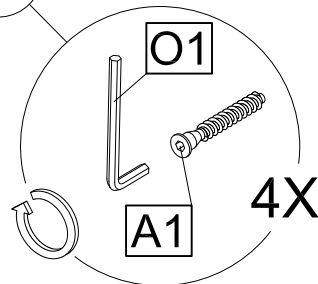
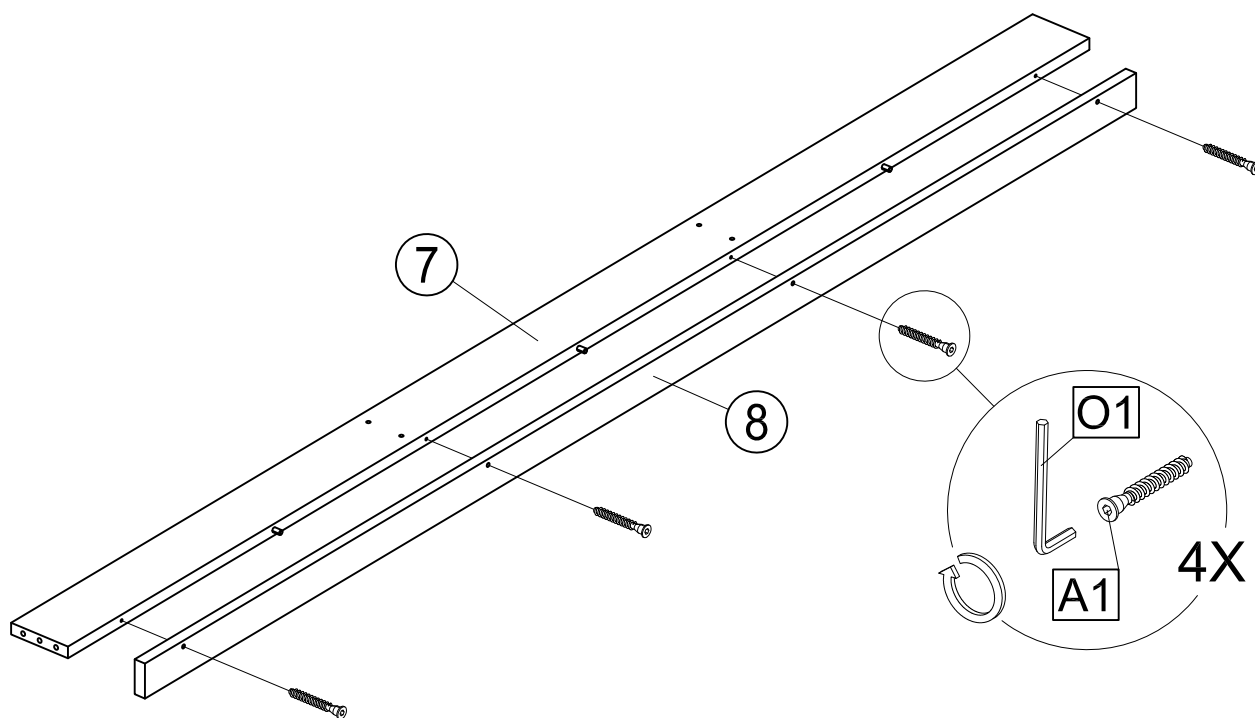
O1 x1



Ø7x50



k4 mm

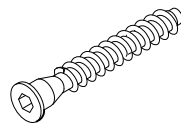




10

A1 x8

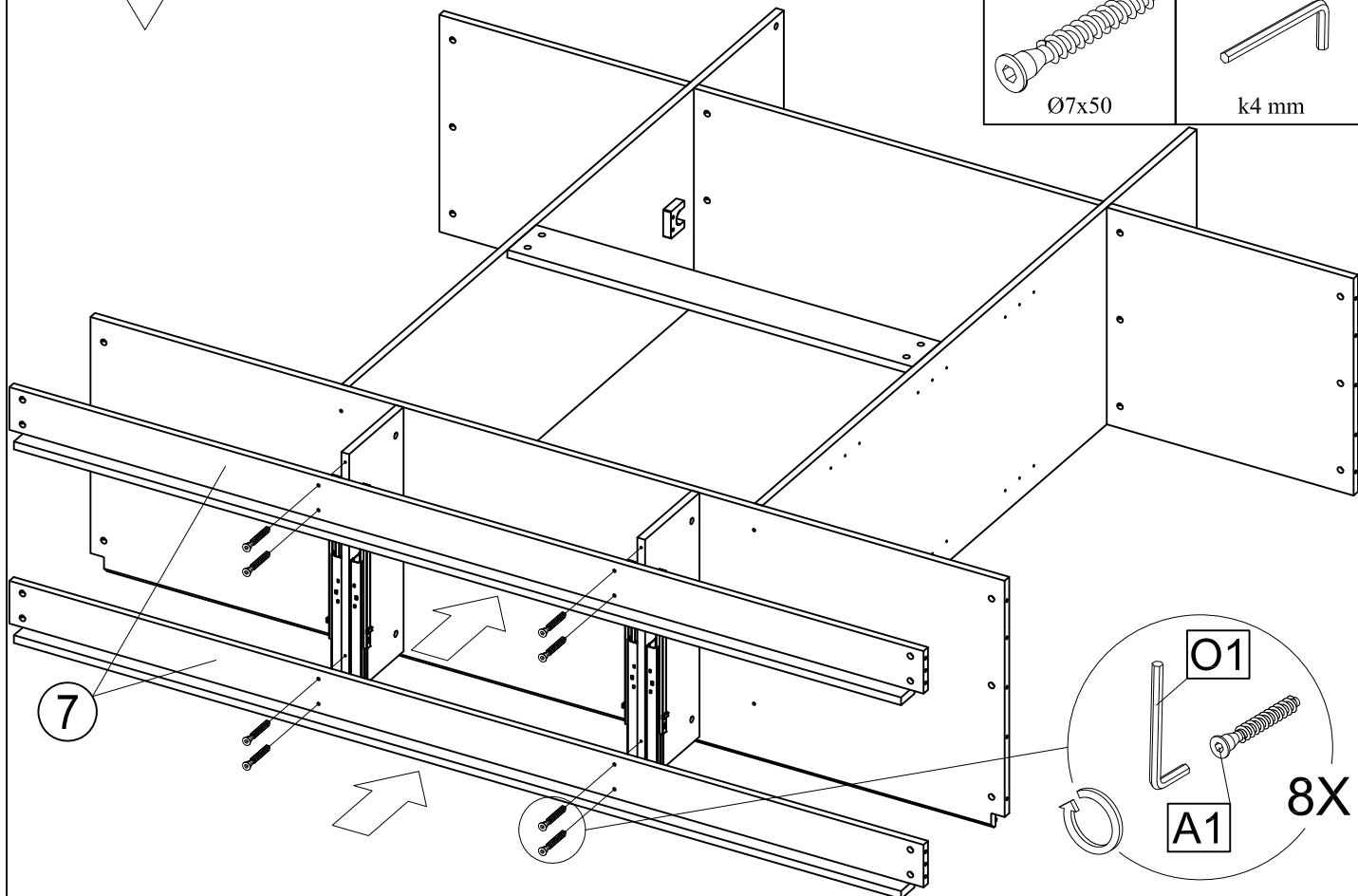
O1 x1



Ø7x50



k4 mm



O1

A1

8X

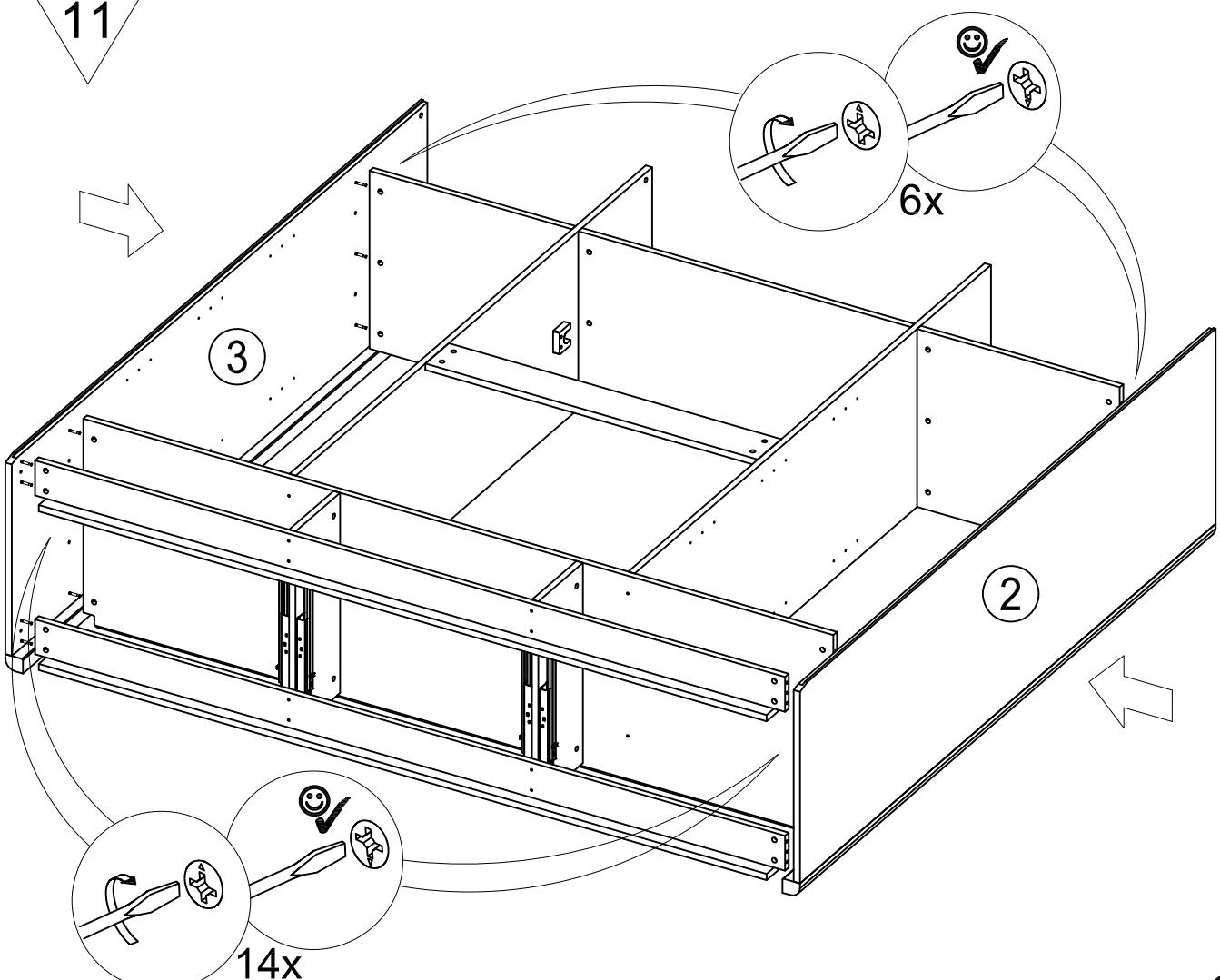
11

6x

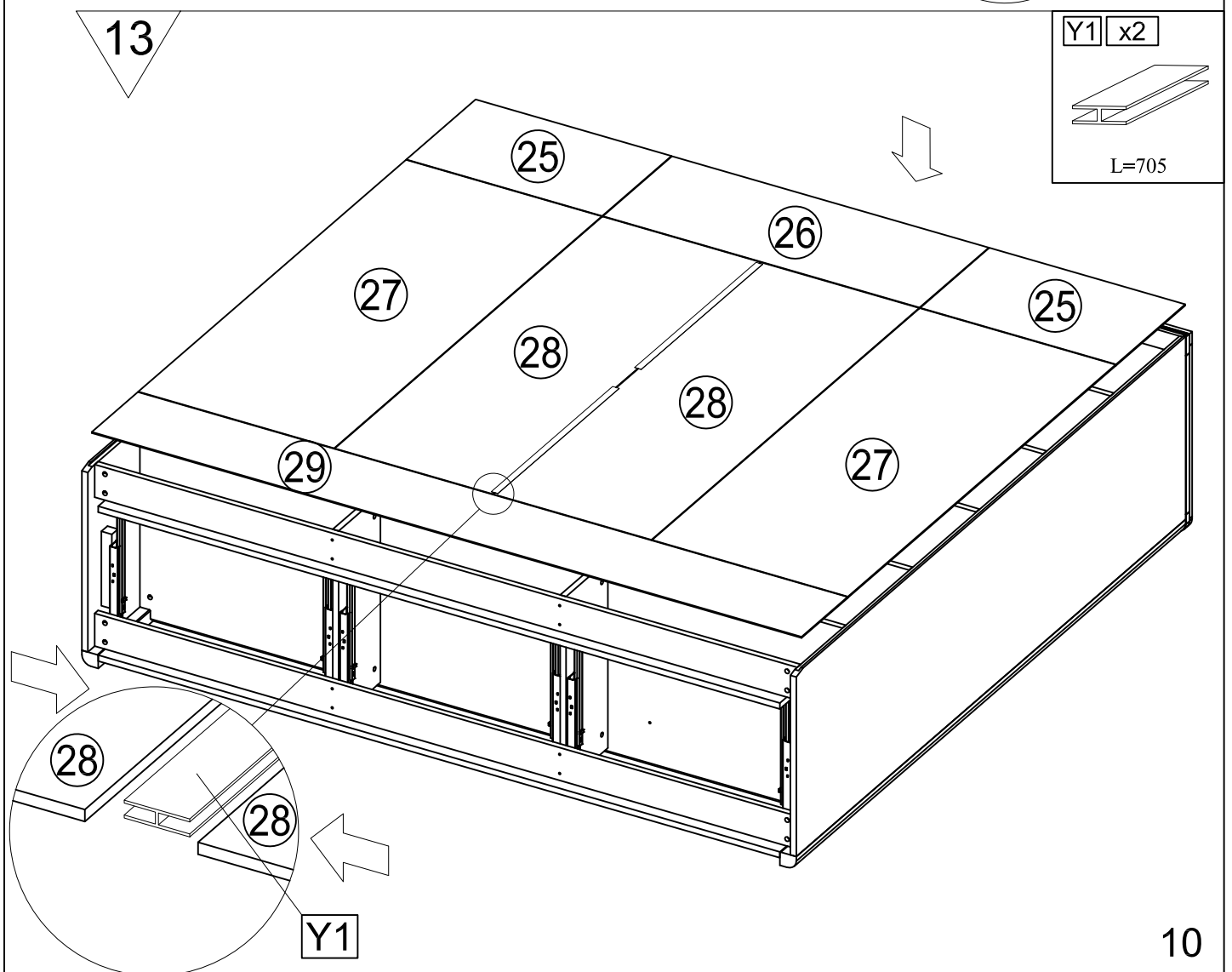
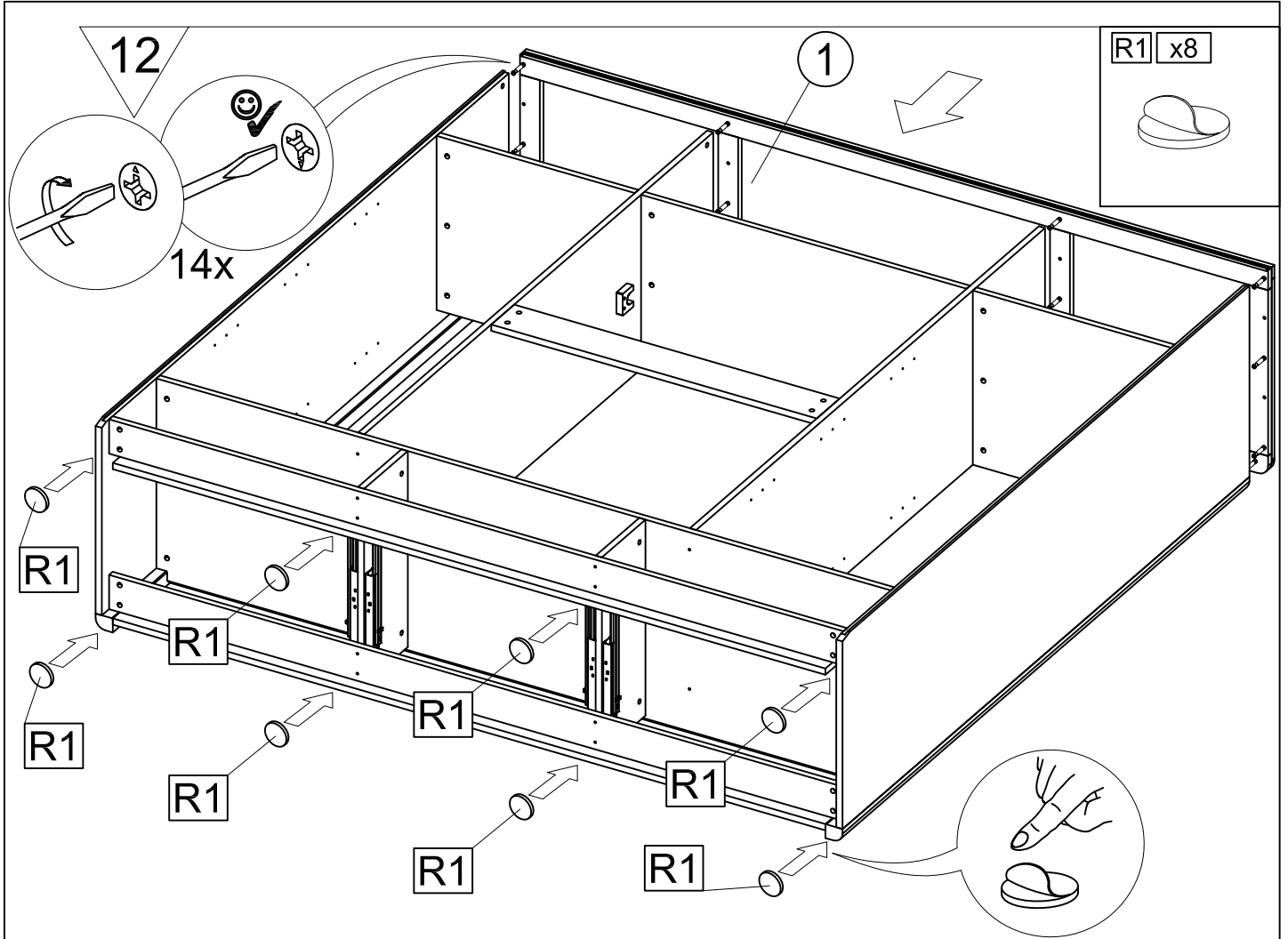
3

2

14x



9

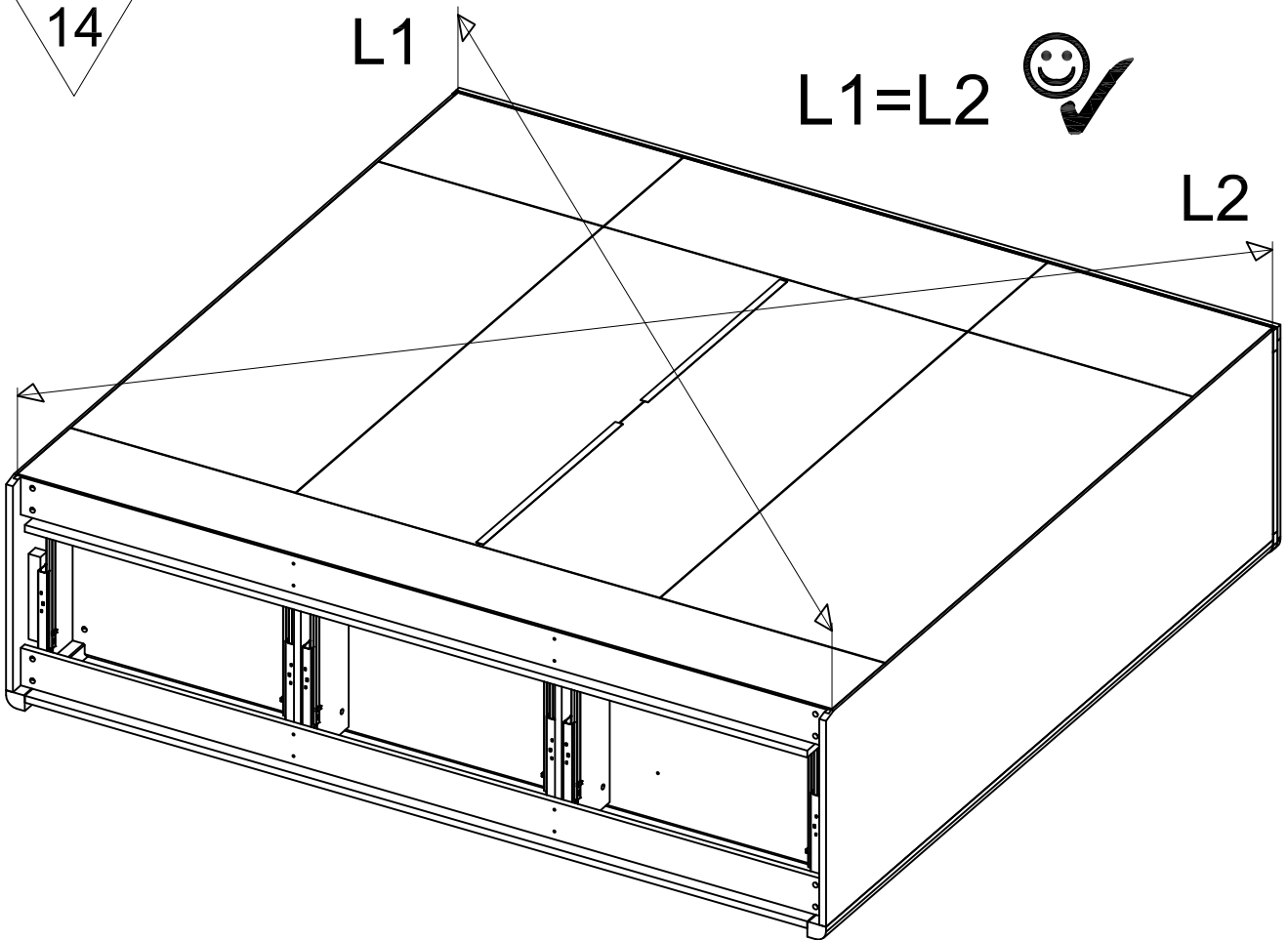


14

L1

L1=L2 ☺ ✓

L2



15

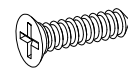
J9 x52

J1 x57

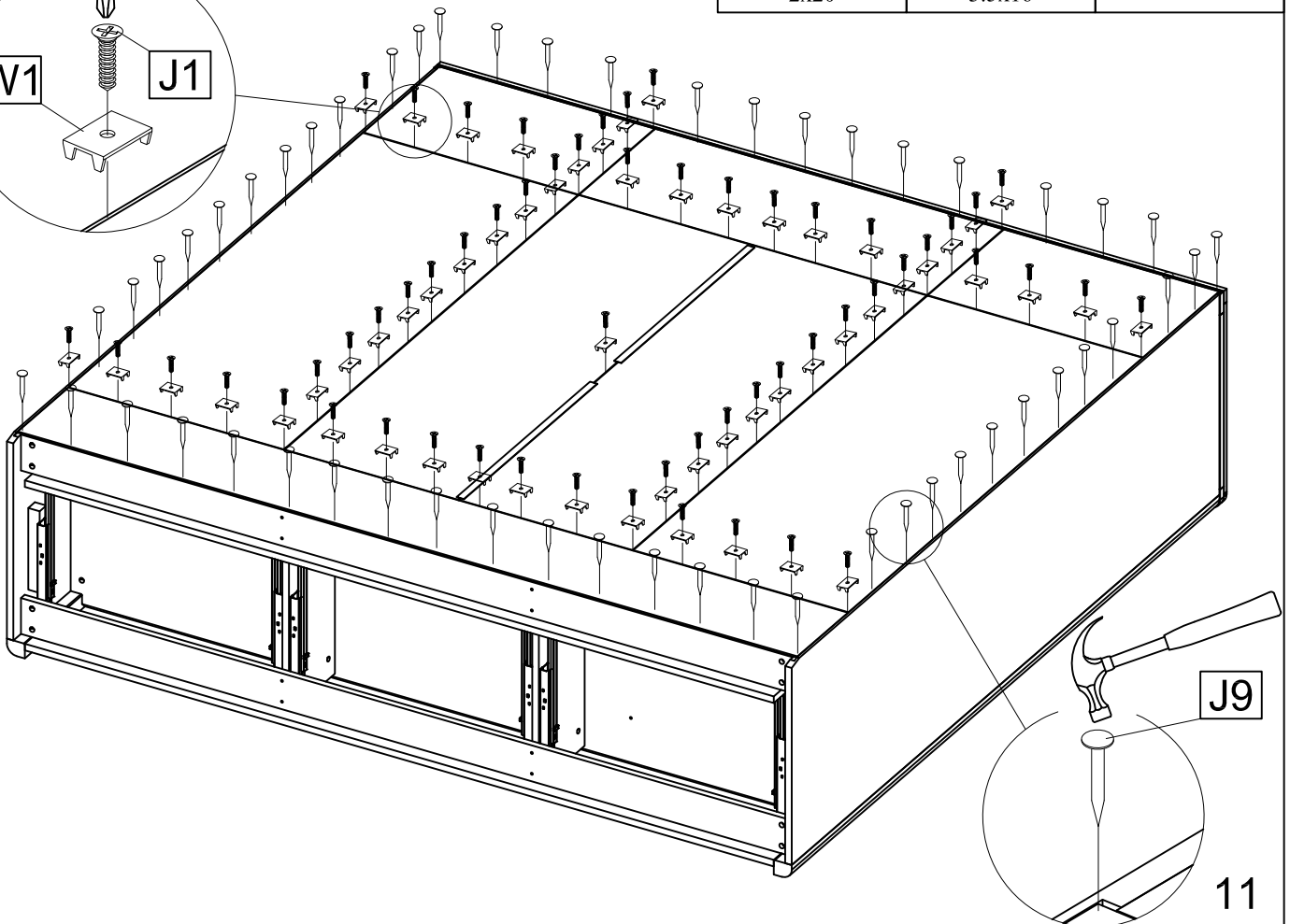
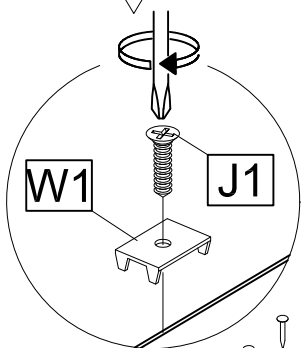
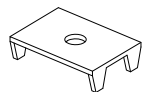
W1 x57



2x20

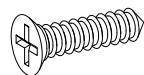


3.5x16



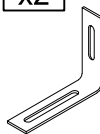
16

J2 x4

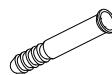


4x16

P1 x2



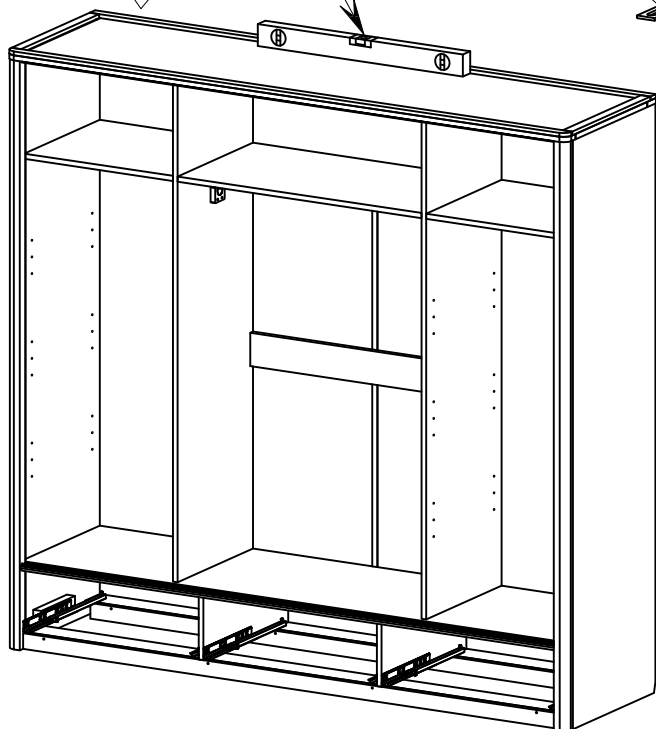
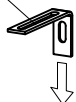
G1 x2



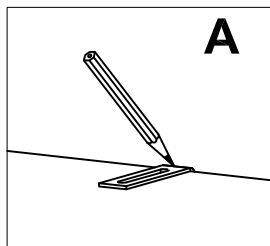
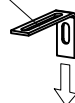
V1 x2



P1

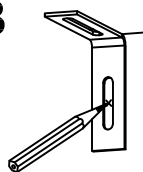


P1

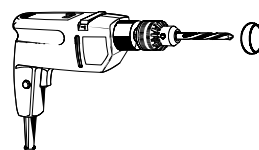


A

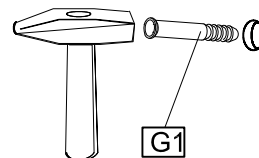
B



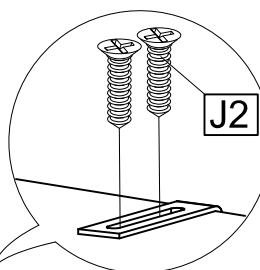
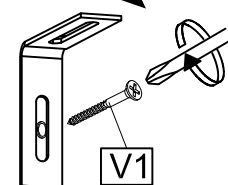
C



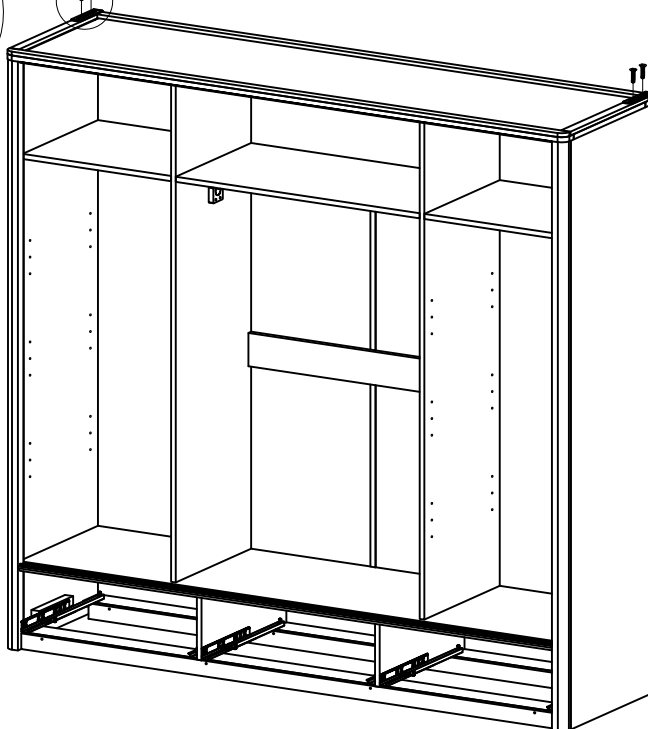
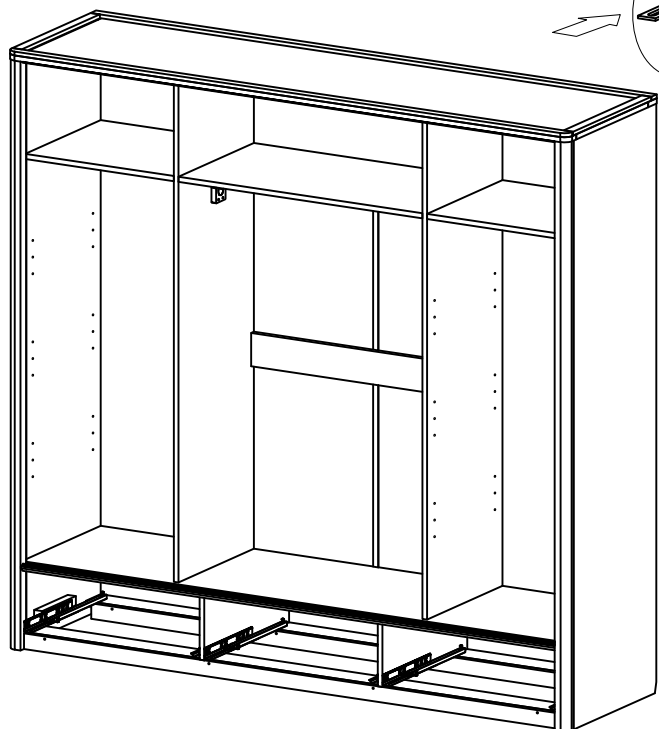
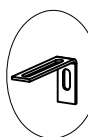
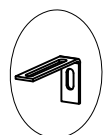
D



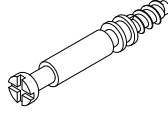
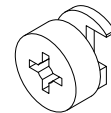
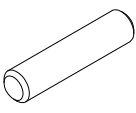
E

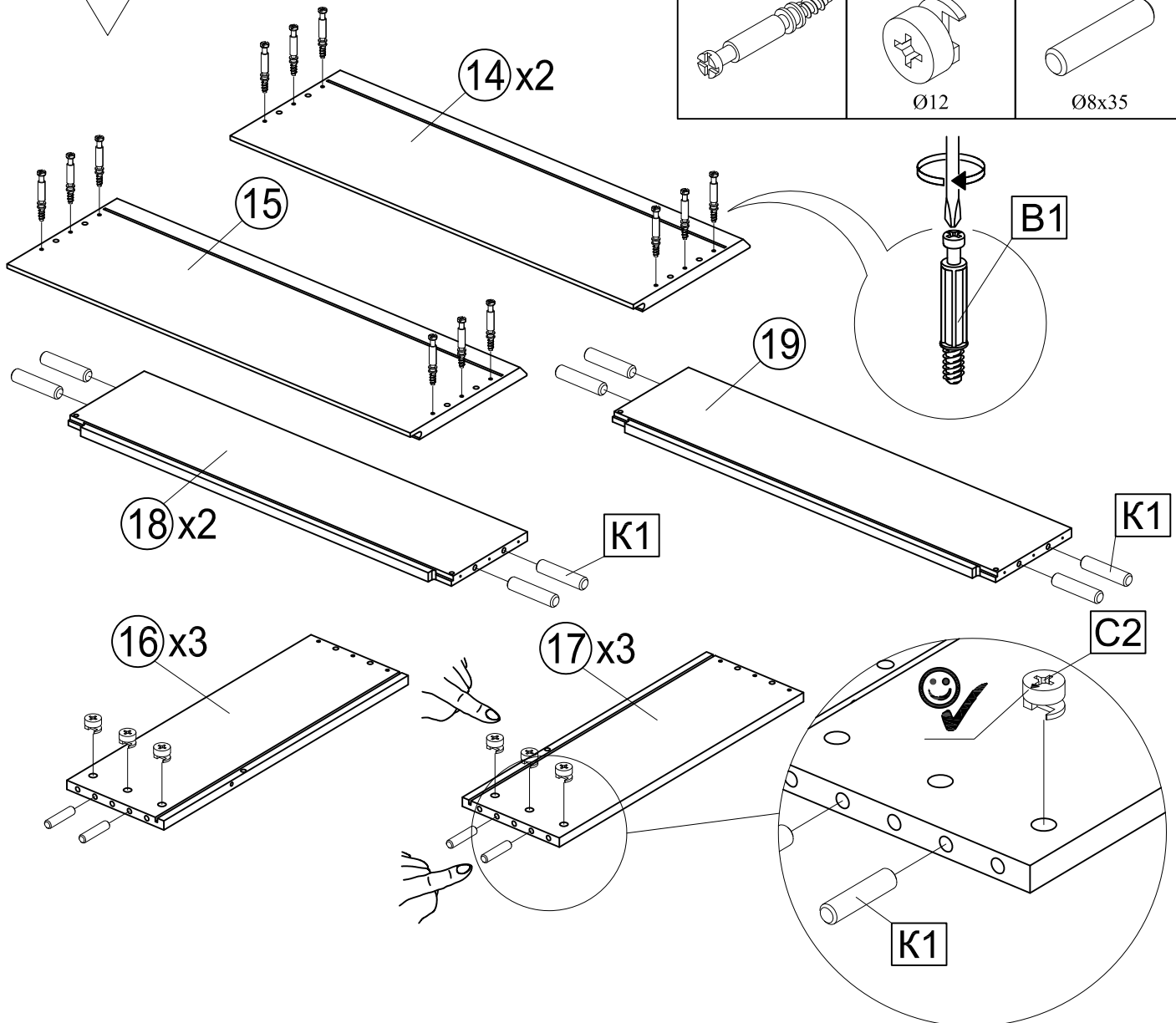


J2

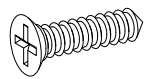


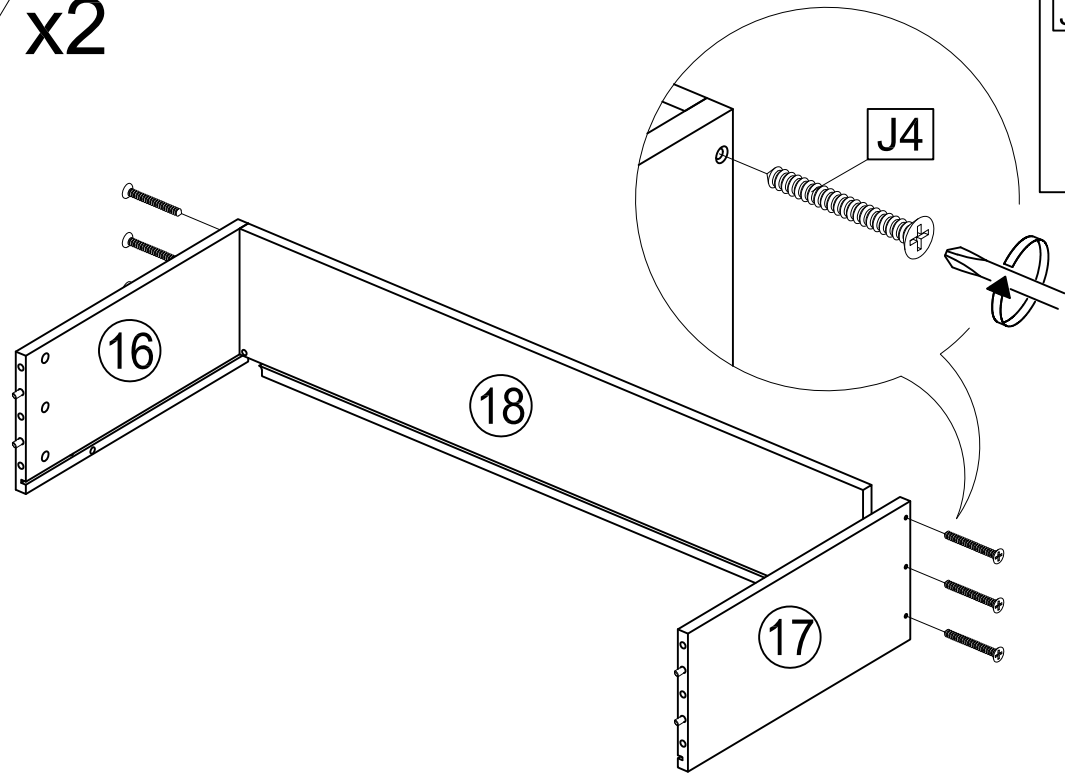
17

|   |   |   |
|---|---|---|
| <p><b>B1</b> x18</p>  | <p><b>C2</b> x18</p>  <p>Ø12</p> | <p><b>K1</b> x24</p>  <p>Ø8x35</p> |
|---|---|---|

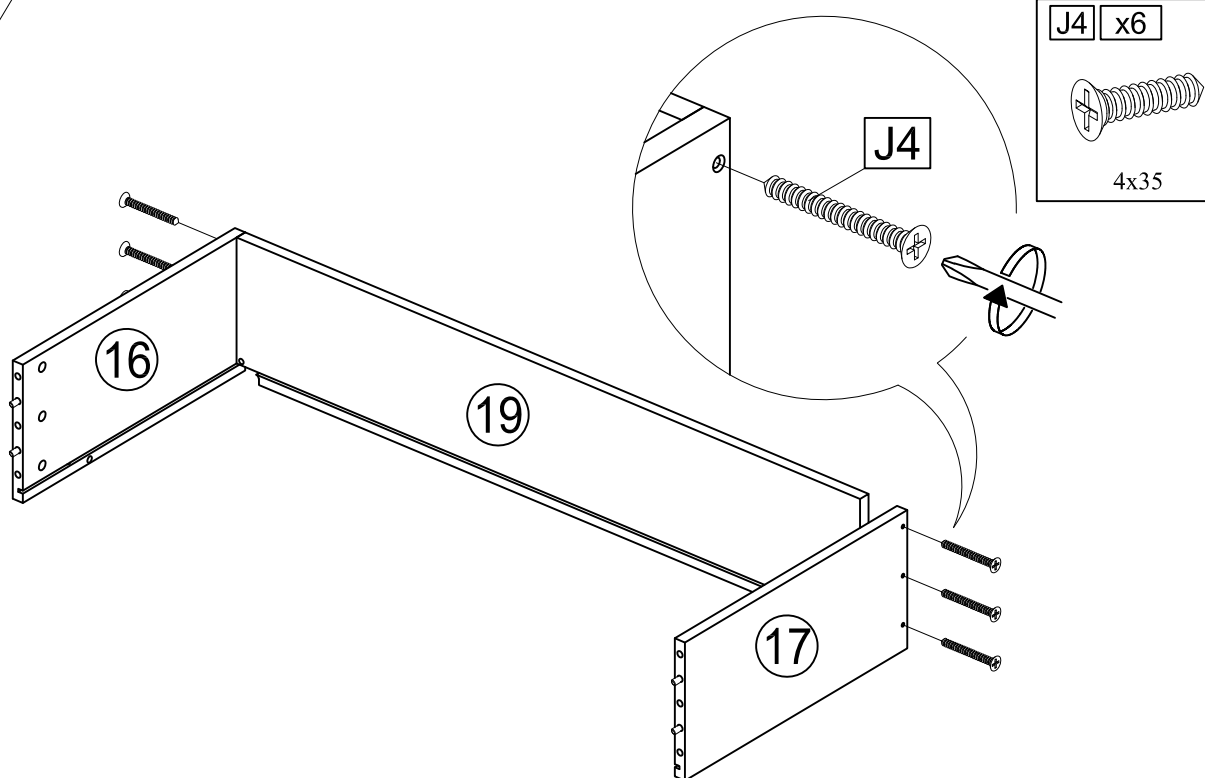


18 x2

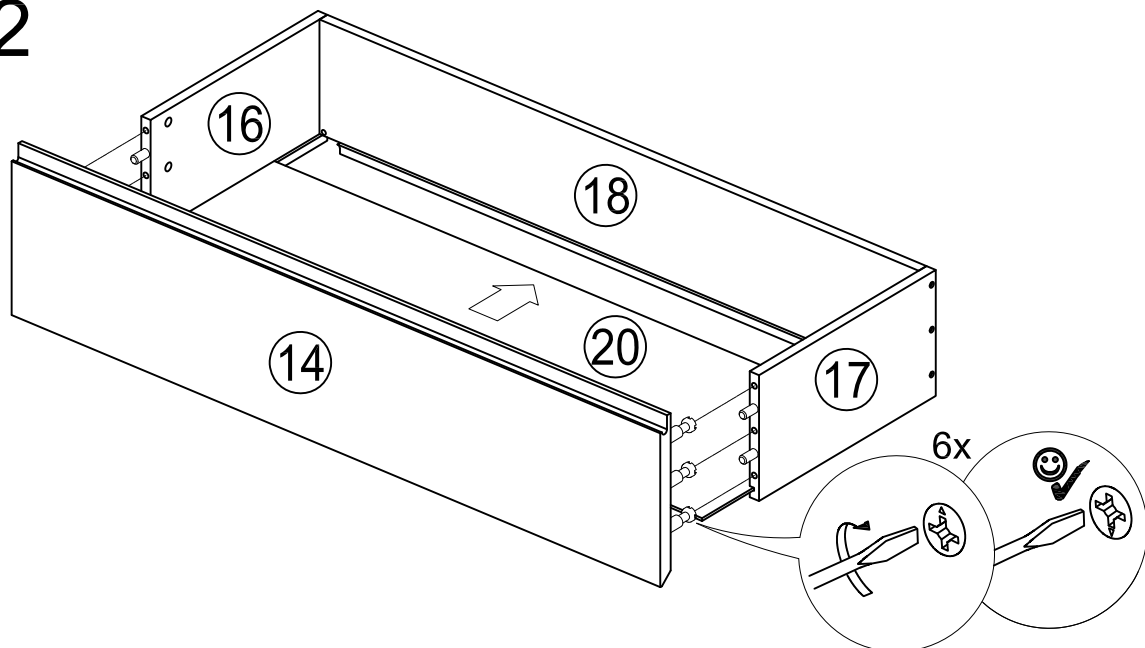
|  |
|--|
| <p><b>J4</b> x12</p>  <p>4x35</p> |
|--|



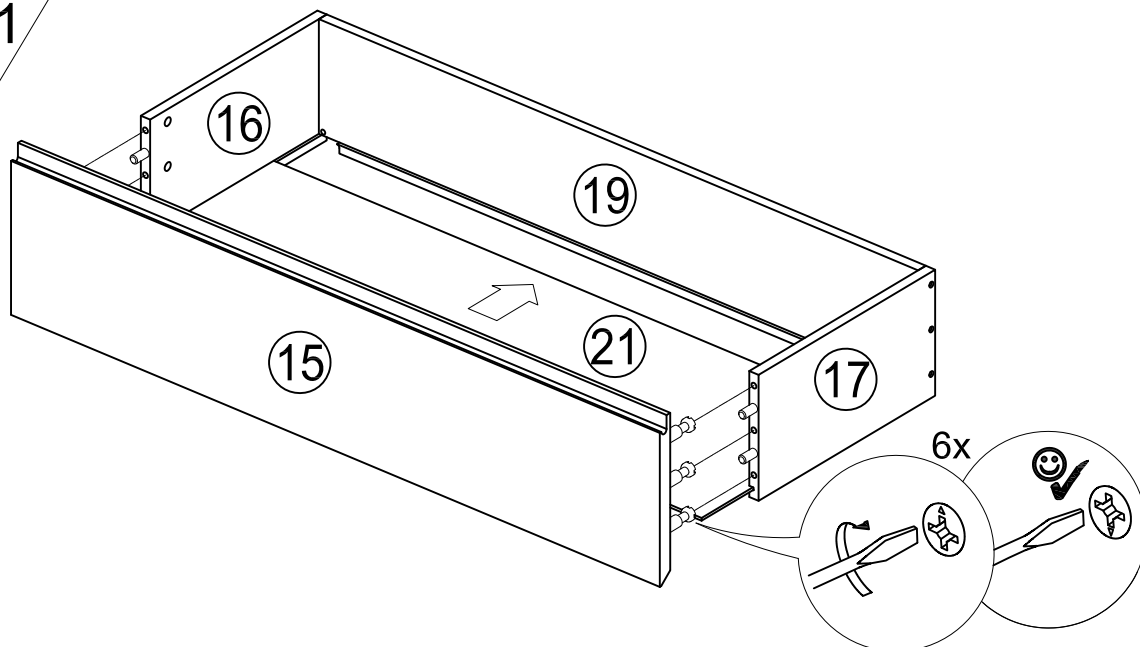
19



20 x2

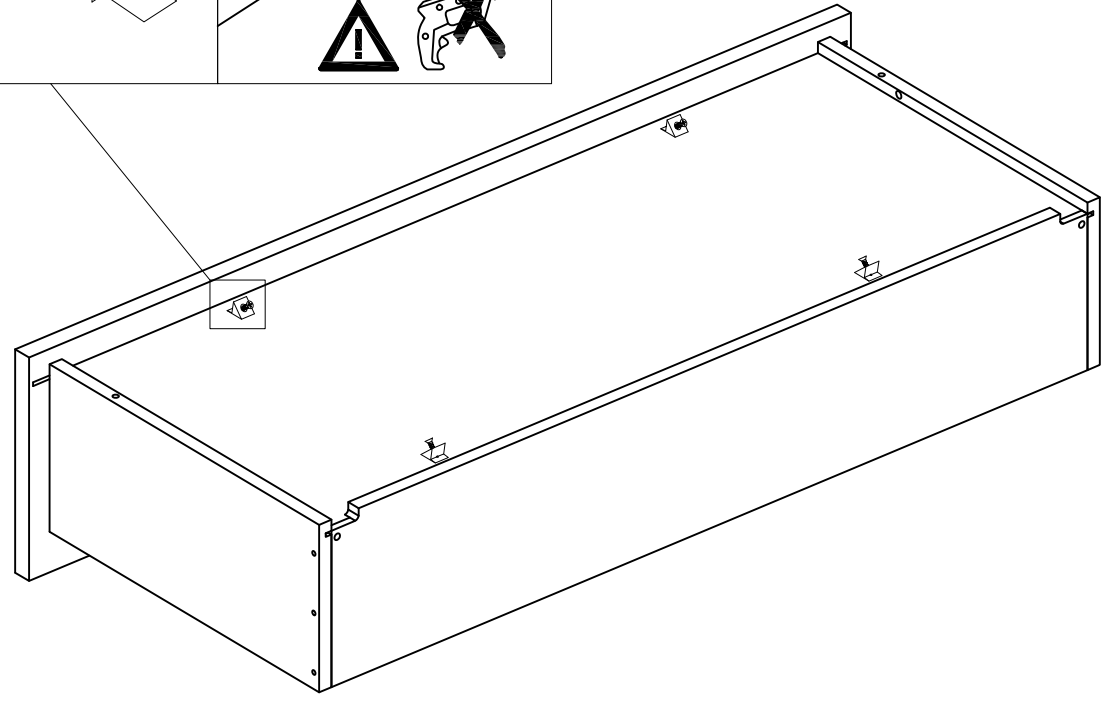
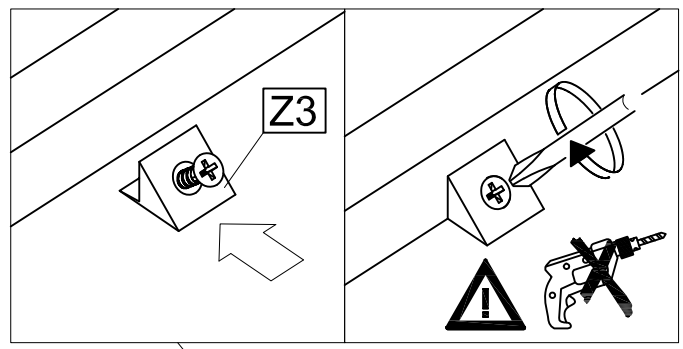
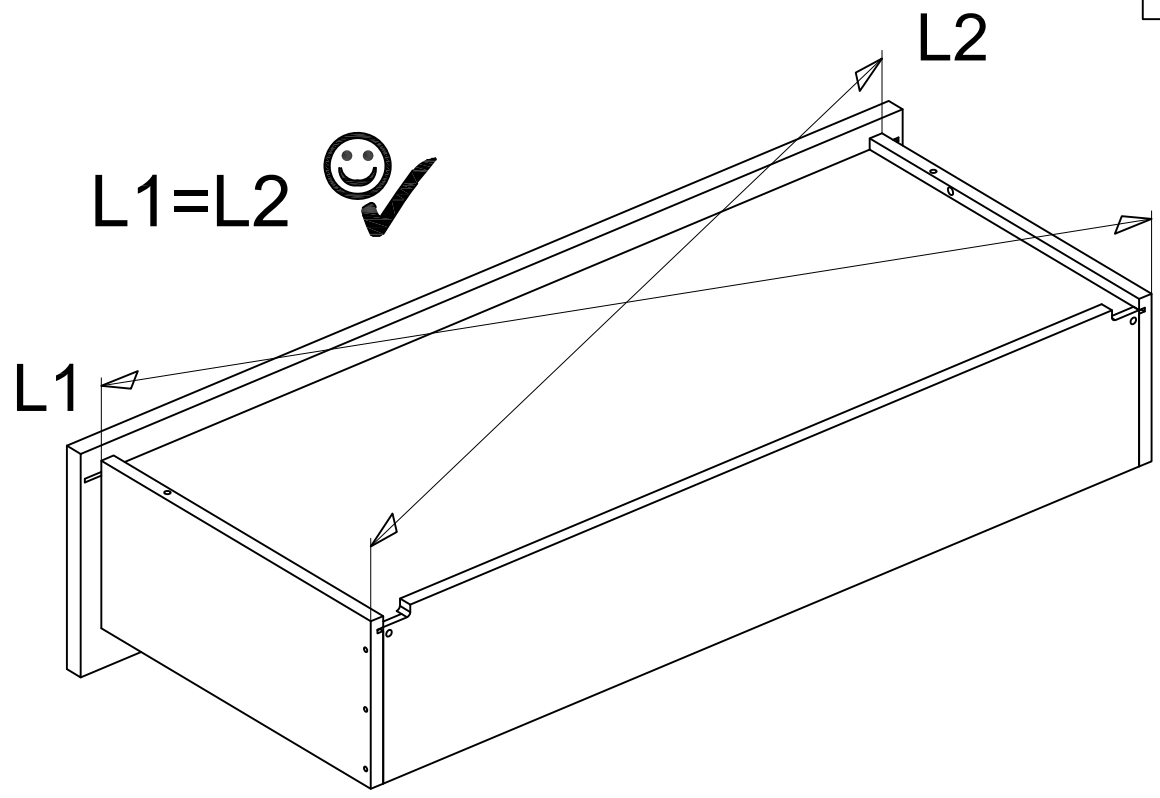
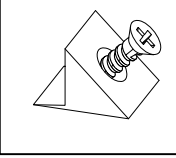


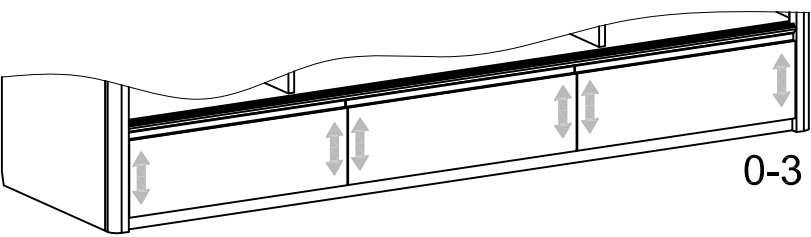
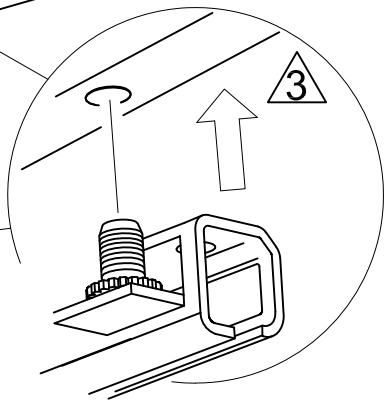
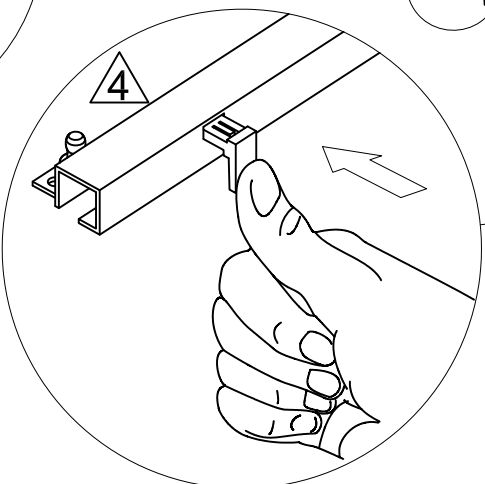
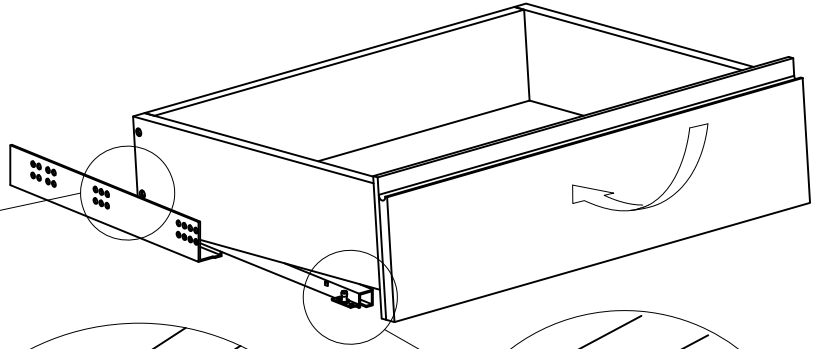
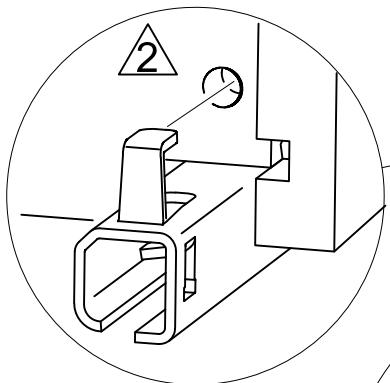
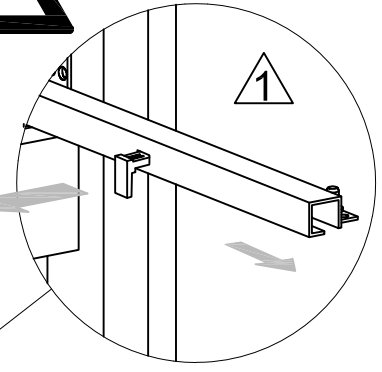
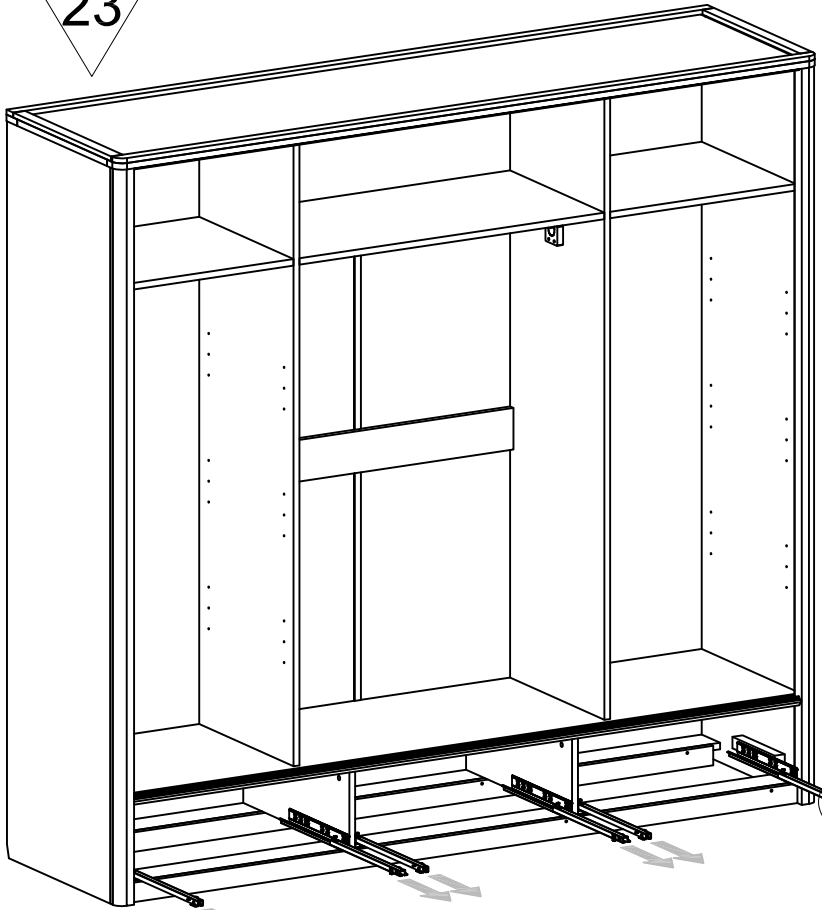
21



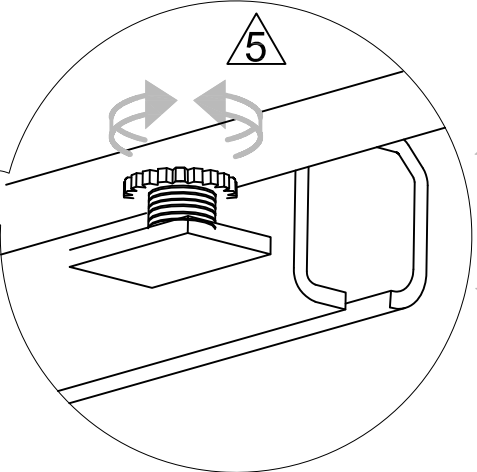
22 x3

Z3 x12





0-3 MM





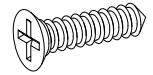
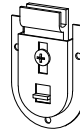
24



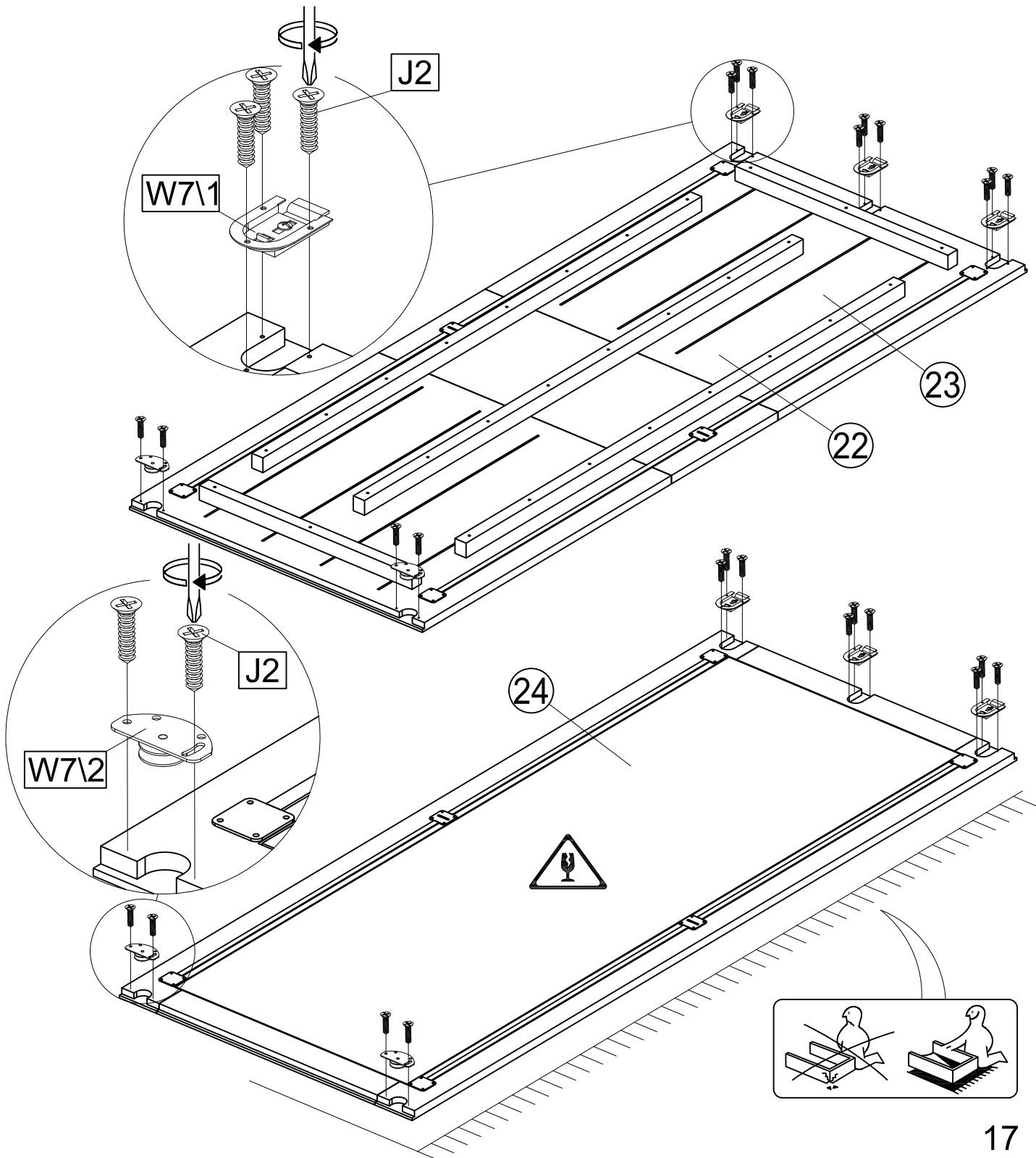
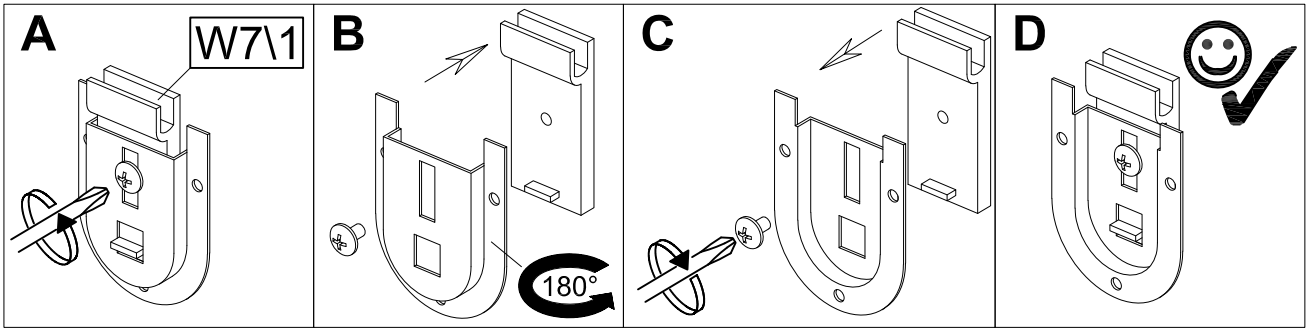
W7\1 x9

W7\2 x6

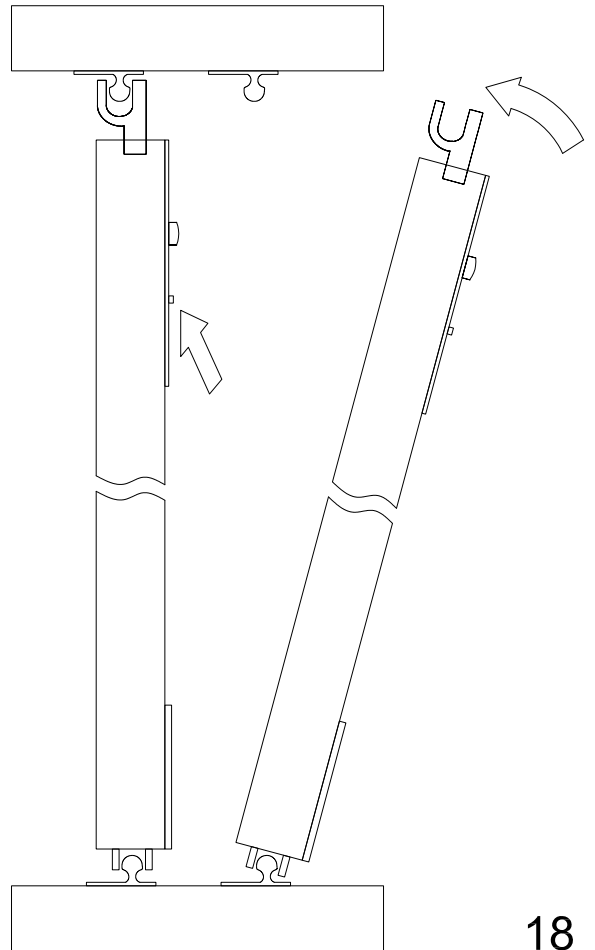
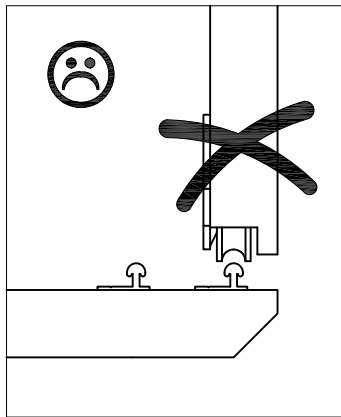
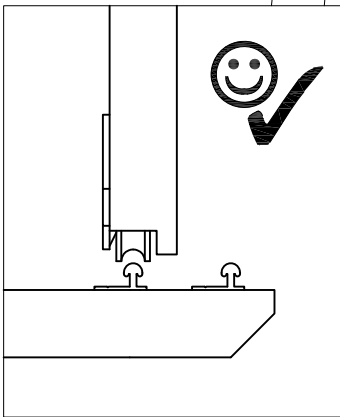
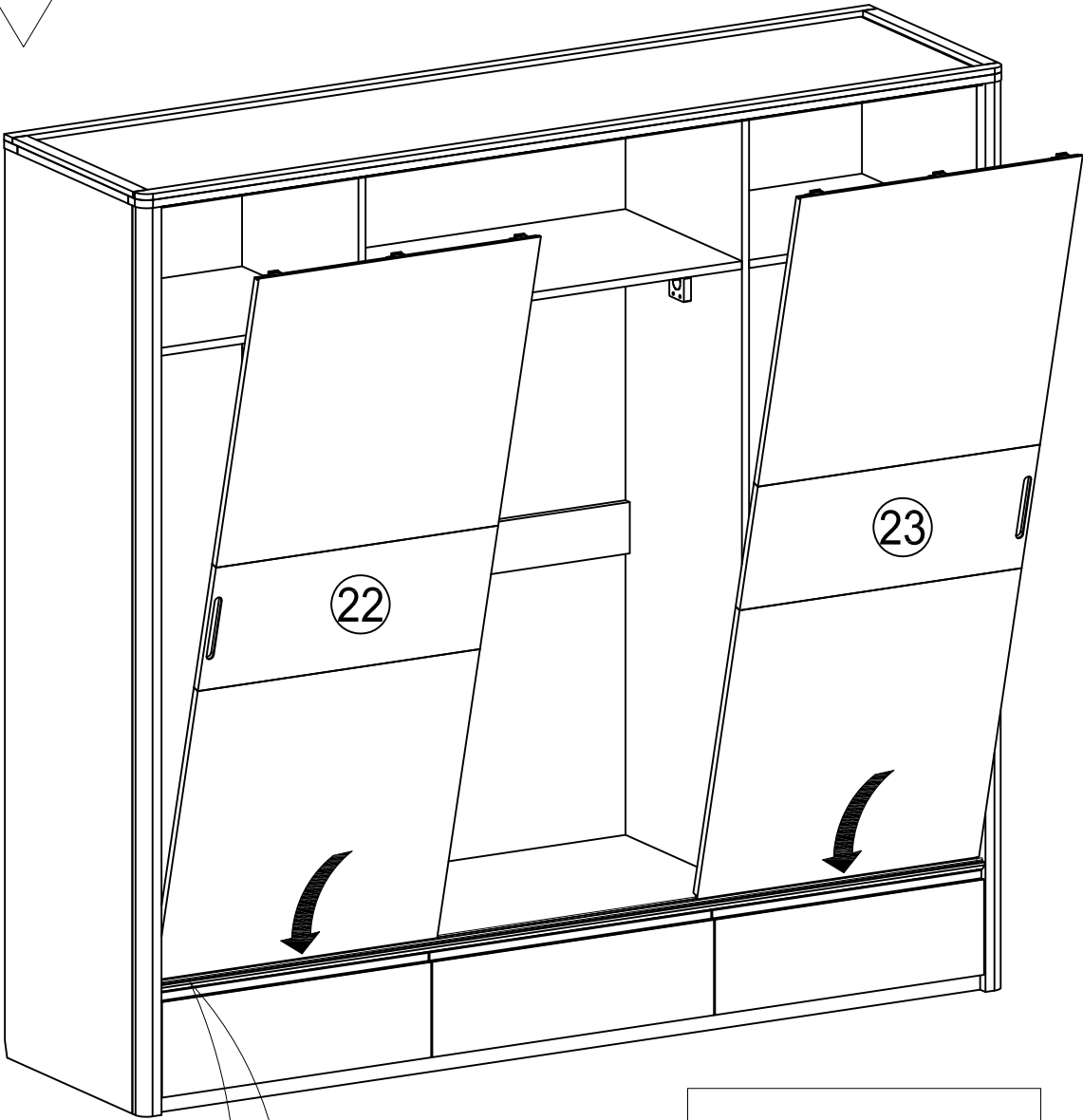
J2 x39

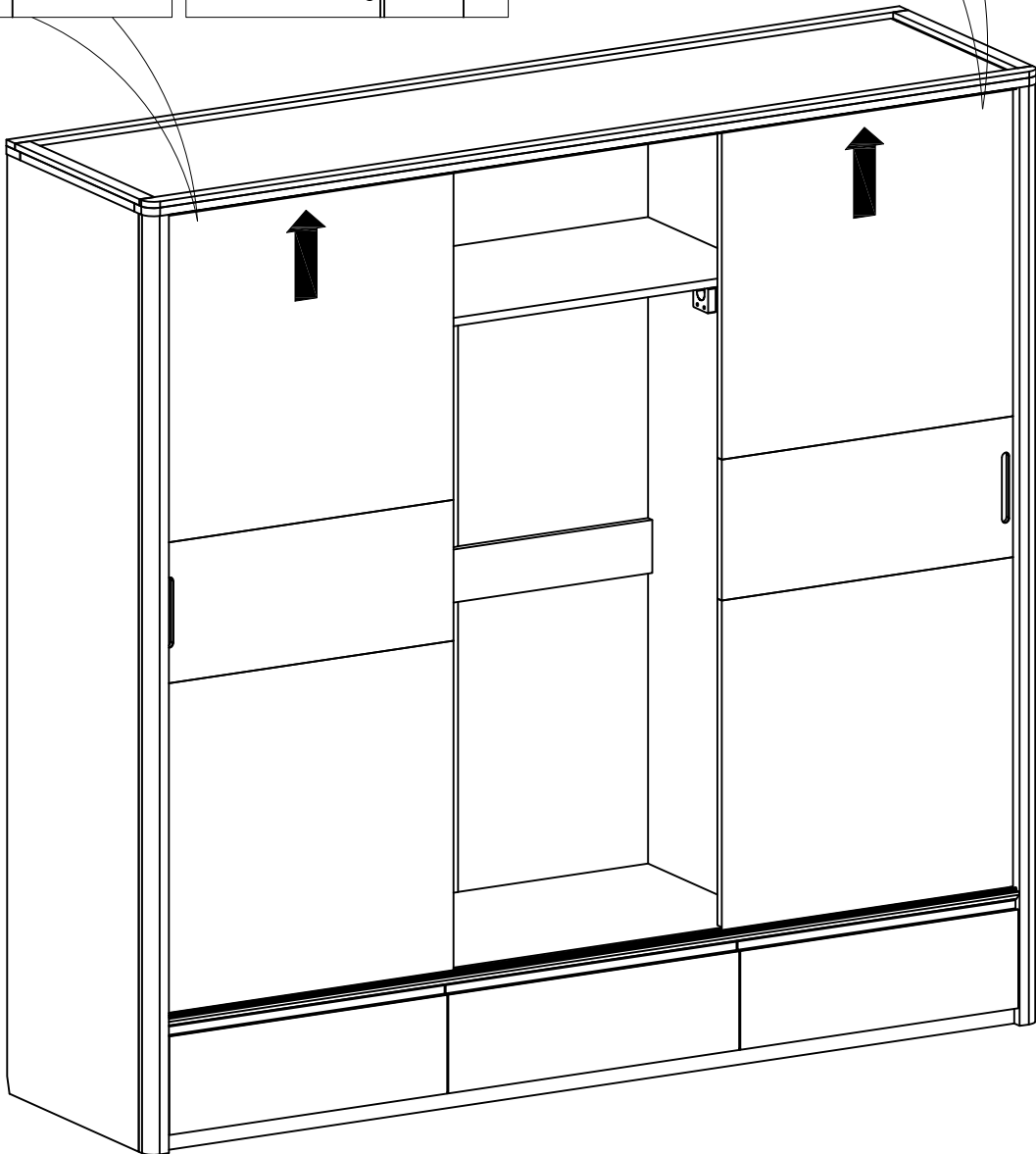
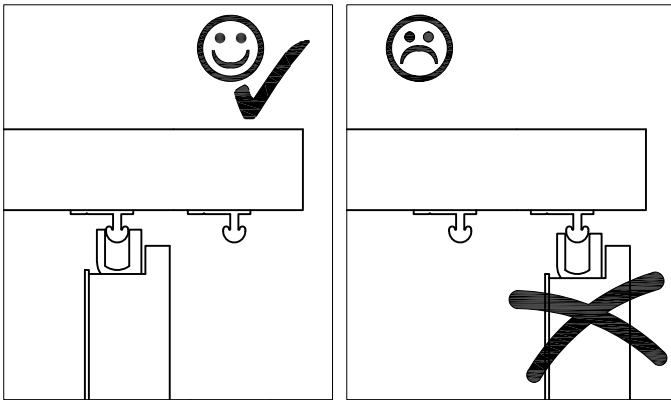
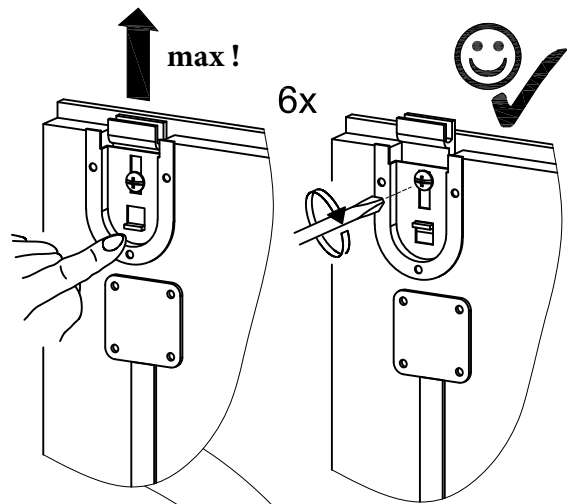


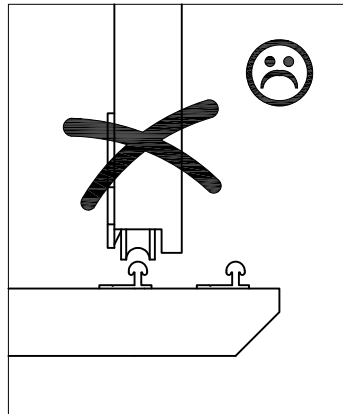
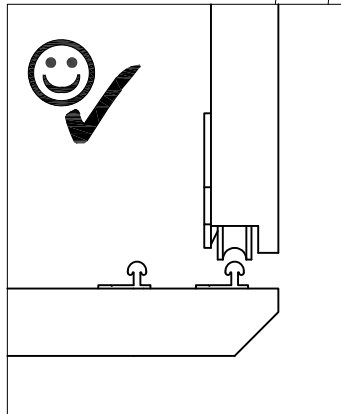
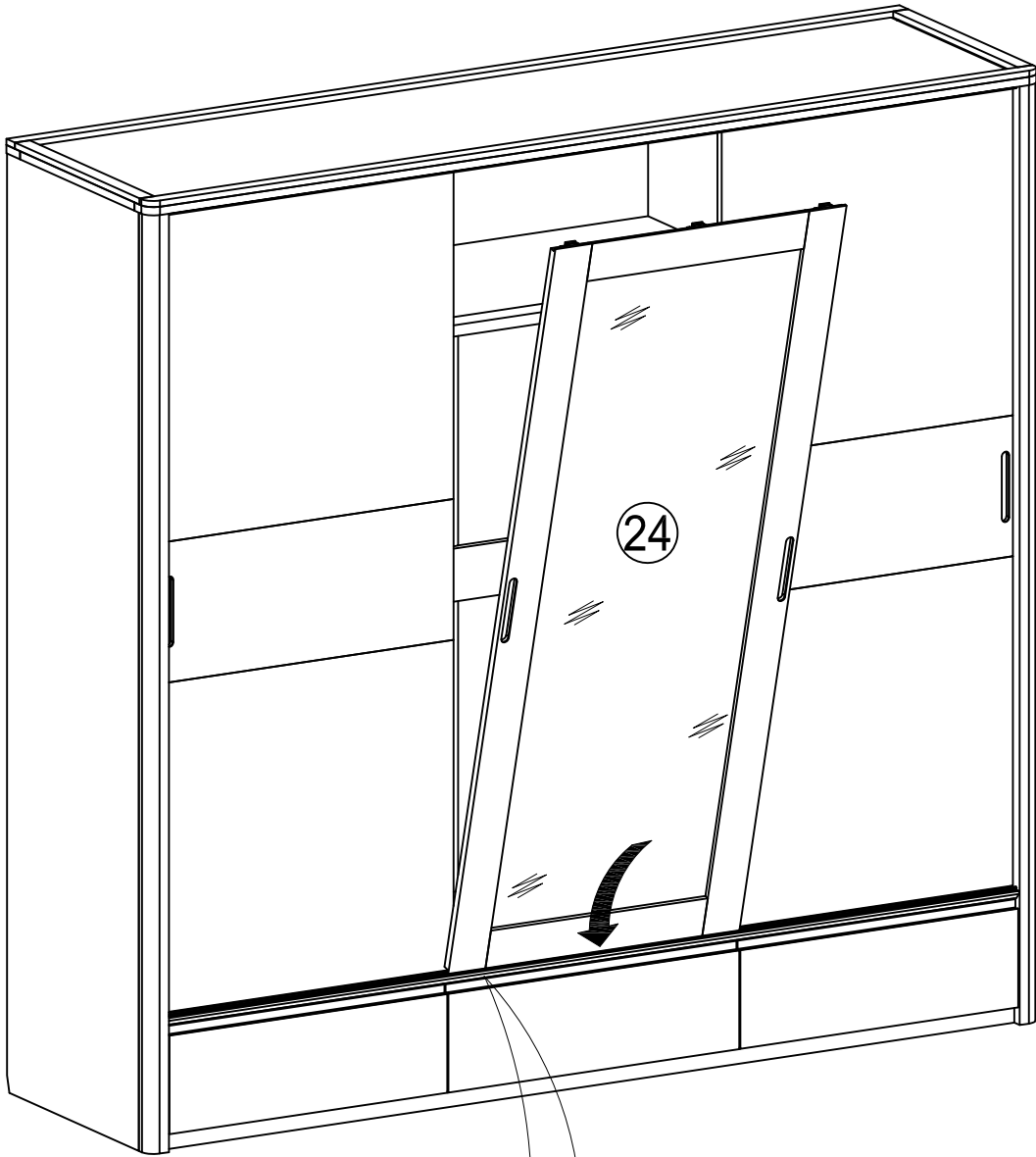
4x16

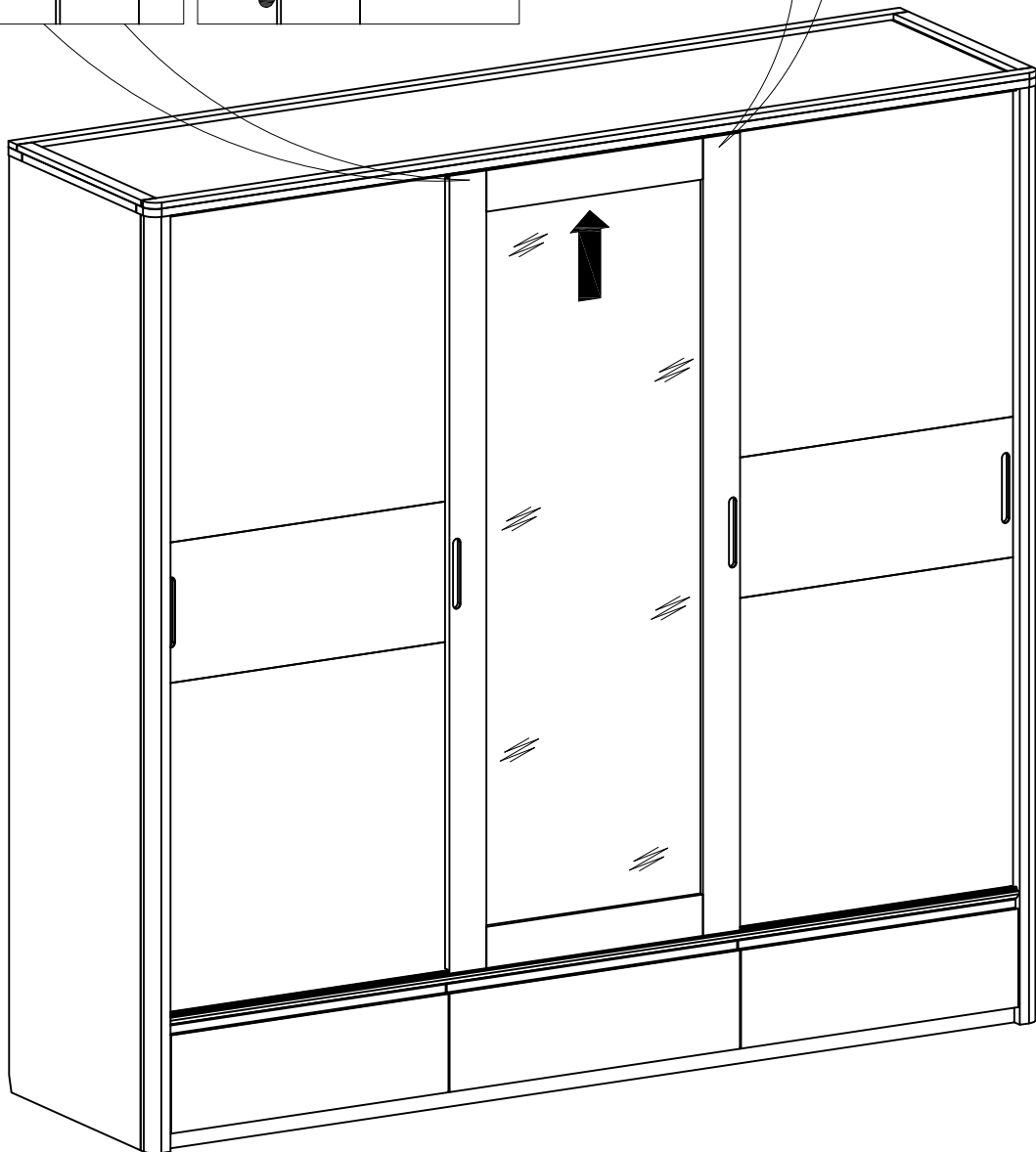
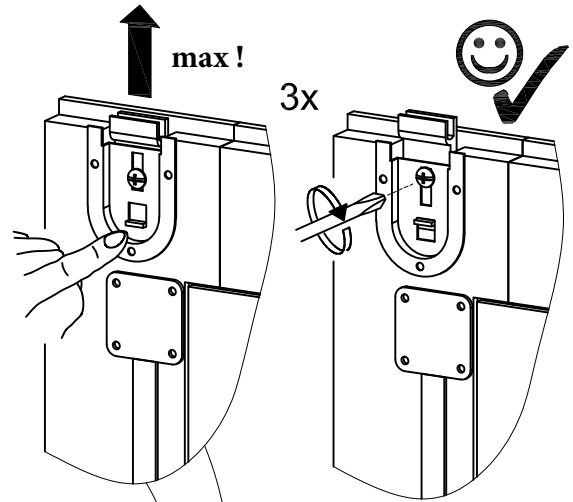
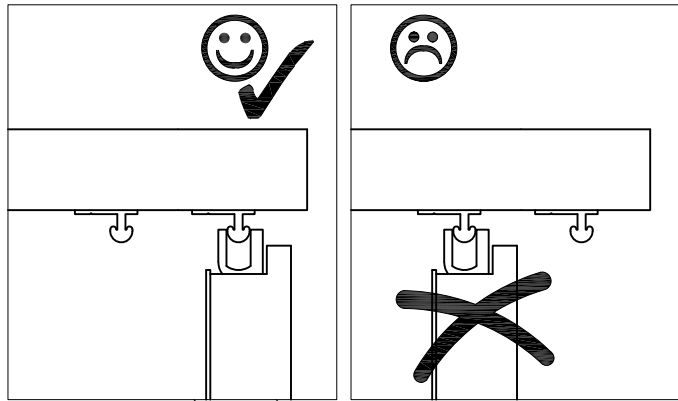


25







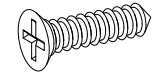
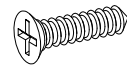
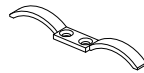


29

W7\3 x3

J1 x6

J2 x12



3.5x16

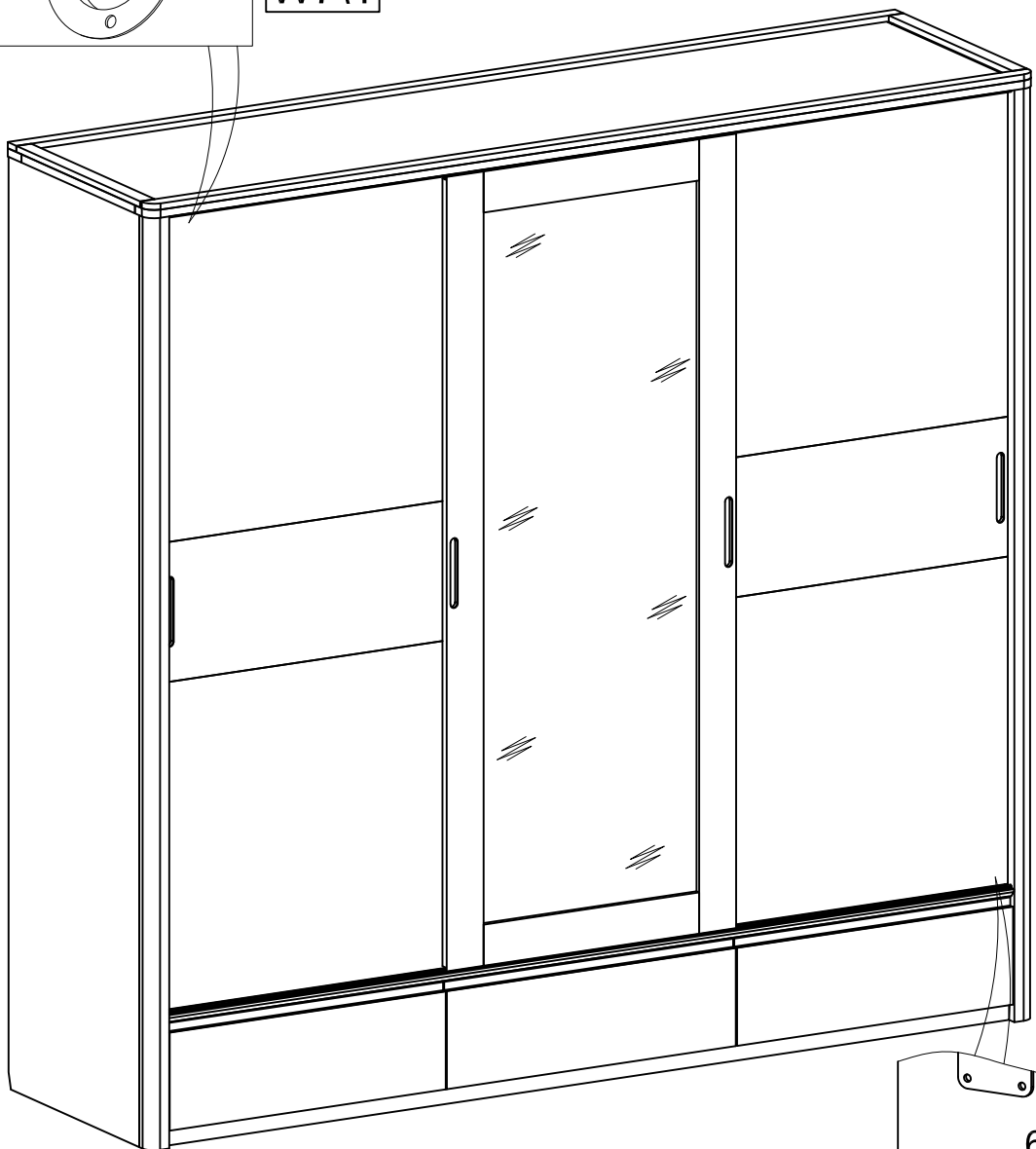
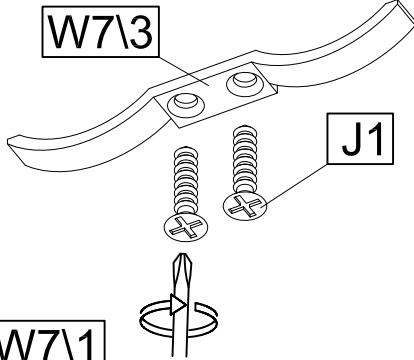
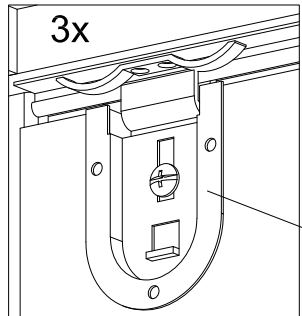
4x16

W7\3

J1

W7\1

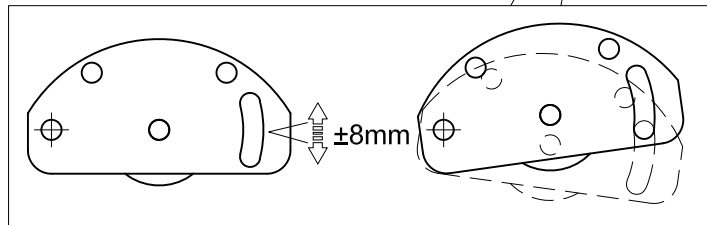
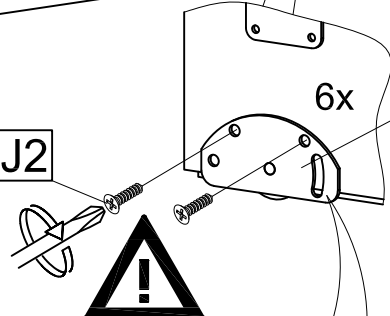
3x



6x

W7\2

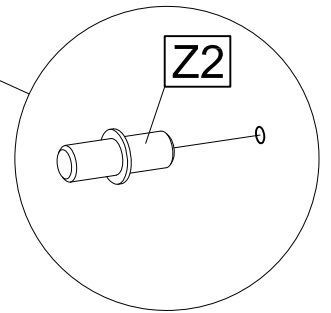
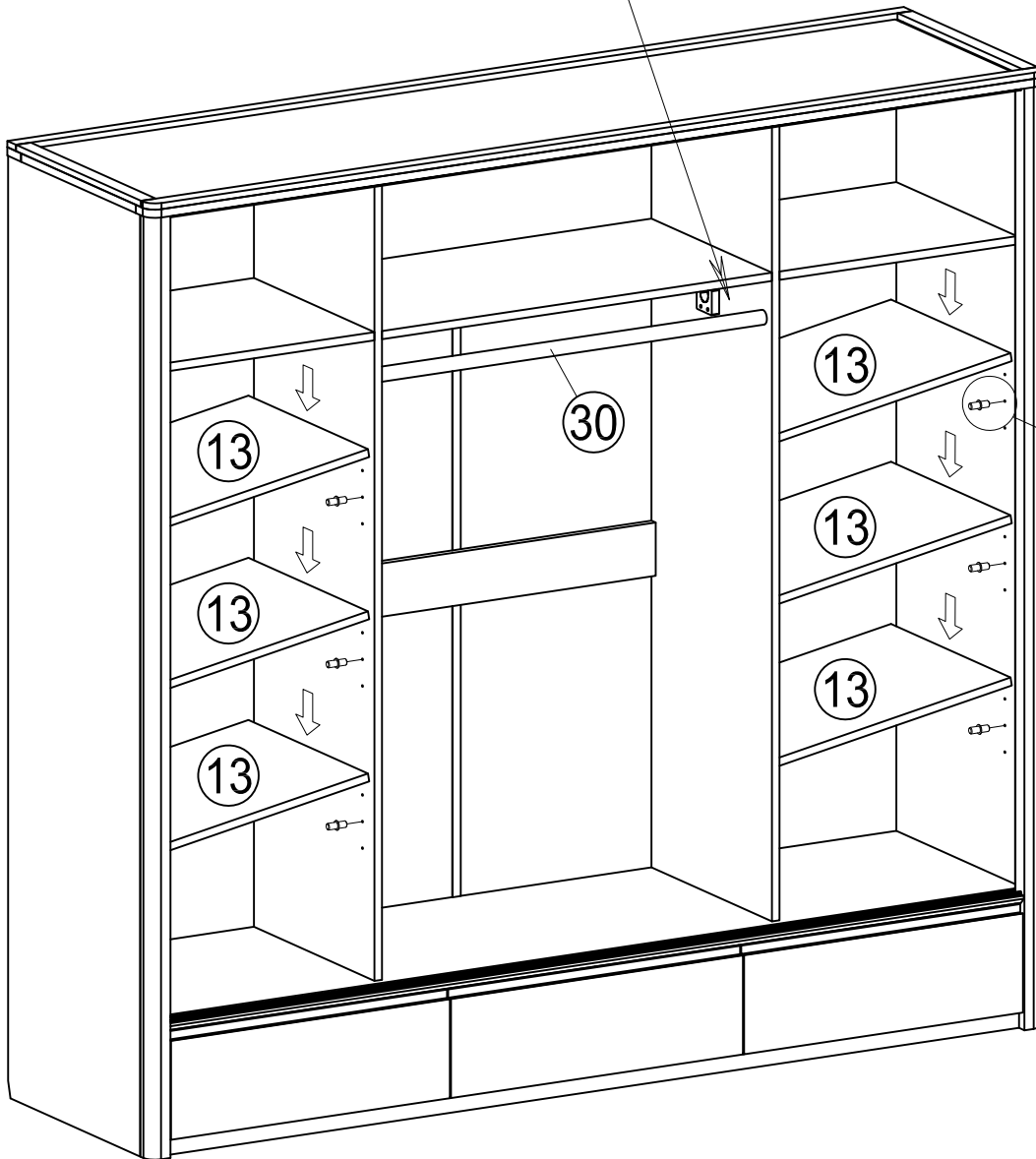
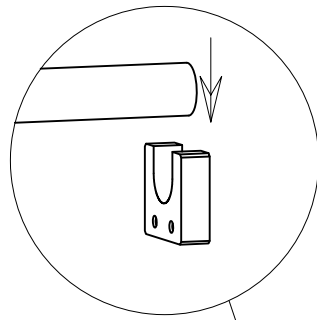
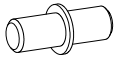
J2



±8mm

30

Z2 x24



31

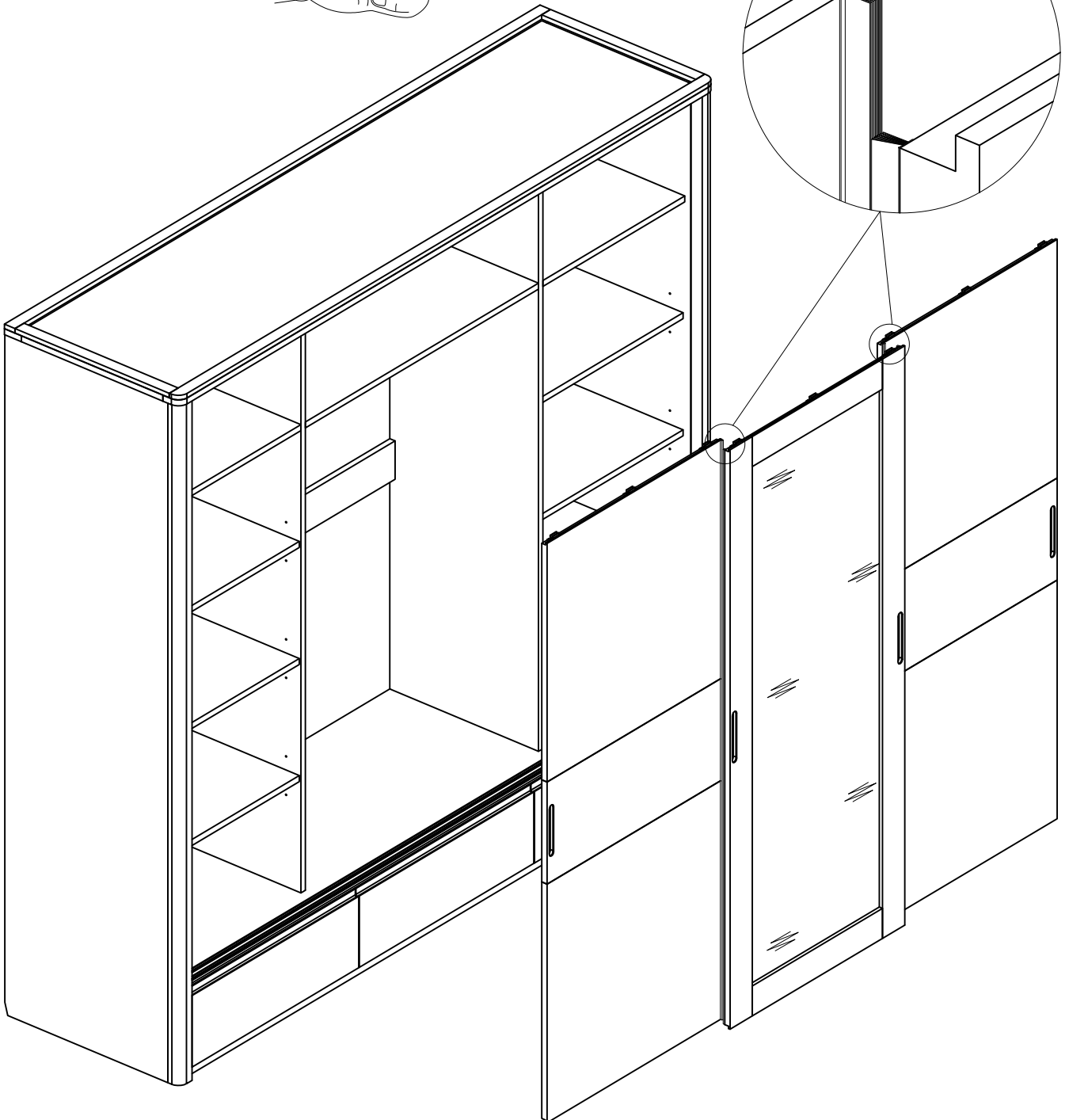
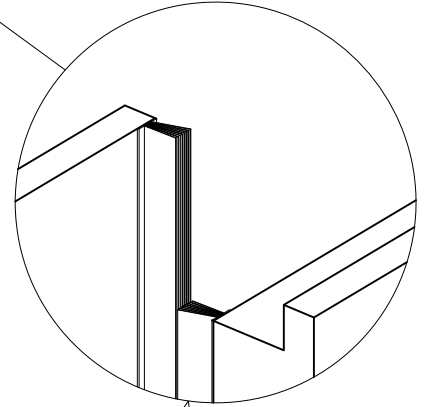
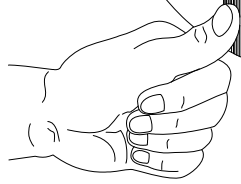
Y3

Y3 x4



L=1930

4x



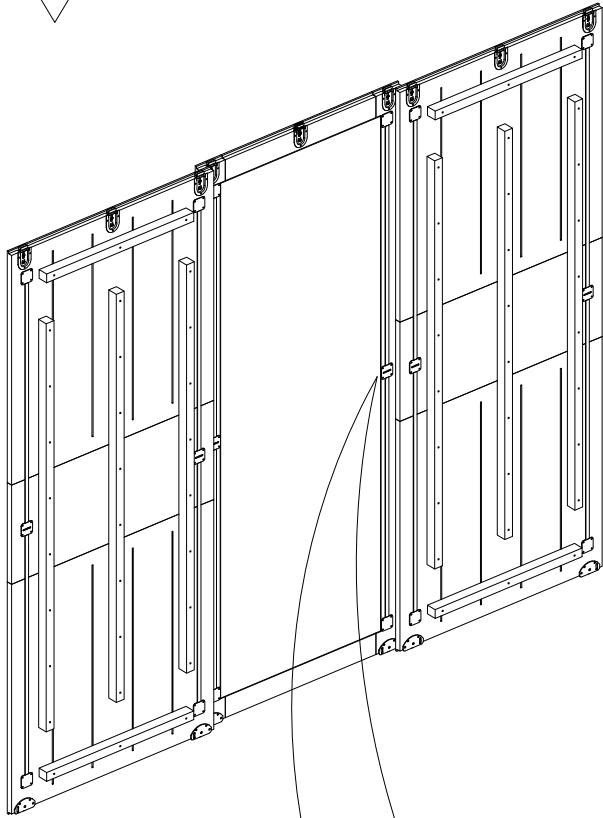


32

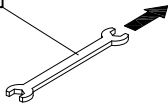
07 x1



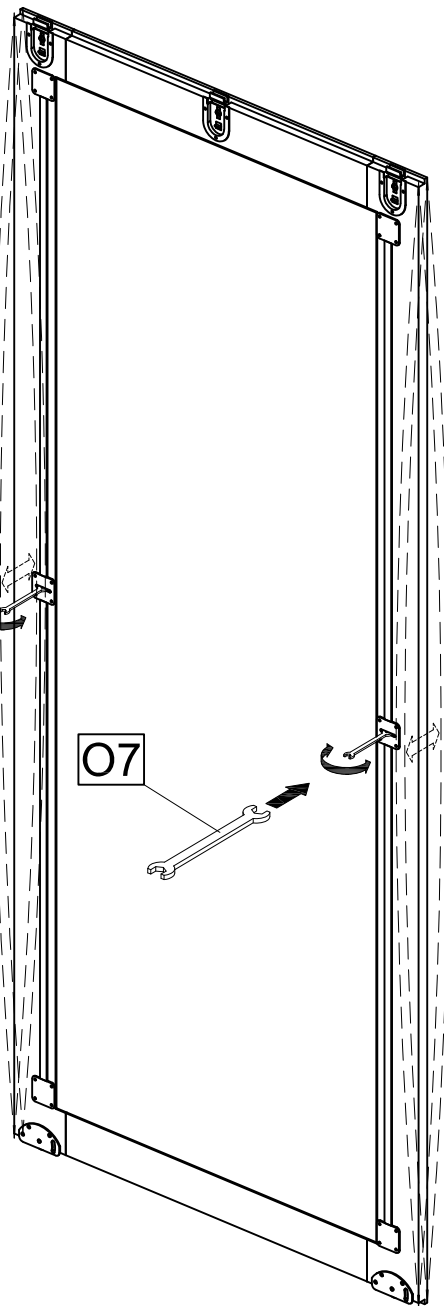
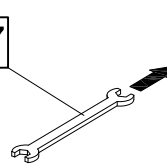
8



07



07





Achtung • Attention • Attenzione  
Opgelet • Uwaga • Pozor • Figyelem  
Atenție • Dikkat • Внимание



|      |   |
|------|---|
| (D)  | Wandbefestigung dient als Kippschutz - unbedingt anbringen! Bei einigen Wandtypen kann ein Spezialdübel erforderlich sein!  |
| (GB) | The wall fastening serves to prevent tipping - be absolutely sure to mount it! For certain wall types, a special wall plug may be necessary!                                    |
| (FR) | La fixation murale sert de protection contre le basculement - à installer impérativement ! Pour certains types de murs il faut des chevilles spéciales !                        |
| (IT) | Il fissaggio alla parete serve da protezione anti-ribaltamento - attaccarla assolutamente! Per alcune strutture di parete può essere necessario un tassello speciale!           |
| (NL) | Bevestiging aan de muur dient als kantelbescherming - zeker en vast bevestigen! Bij enkele muurtypes is een speciale plug misschien vereist!                                    |
| (PL) | Mocowanie do ściany jest jednocześnie zabezpieczeniem przed przewróceniem - koniecznie zamontować! Do niektórych rodzajów ścian koniecznie zastosować specjalne kołki mocujące. |
| (CZ) | Montáž na stěnu slouží jako ochrana proti převrnutí - bezpodmi-<br>nečně umístěte! U některých typu stěn může být zapotřebí speci-<br>ální hmoždinka!                           |
| (SK) | Upevnenie na stenu slúži ako ochrana proti prevráteniu - bezpod-<br>mienečne použite! Pre niektoré druhy stien môže byť potrebná<br>špeciálna hmoždinka!                        |
| (HU) | A termékét a falhoz kel rögzíteni, különben az felborulhat! Egyes<br>faltípusoknál speciális tiplit kell használni!   |
| (RO) | Sistemul de fixare la perete servește ca protecție la răsturnare - de<br>montat obligatoriu! Pentru unele tipuri de pereți este posibil să fie<br>necesar un diblu special!     |
| (TR) | Duvardaki sabitleme, devrilmeye karşı bir emniyet tedbiridir ve<br>mutlaka monte edilmelidir! Bazı duvar tiplerinde bunun için özel bir<br>dübel gerekli olabilir!              |
| (RU) | Обязательно установите крепление к стене во избежание<br>опрокидывания ! Для некоторых типов стен может потребо-<br>ваться специальный дюбель!                                  |