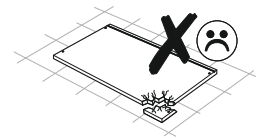
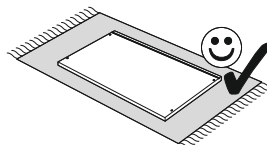
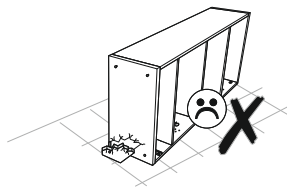
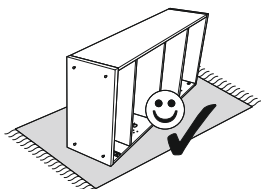
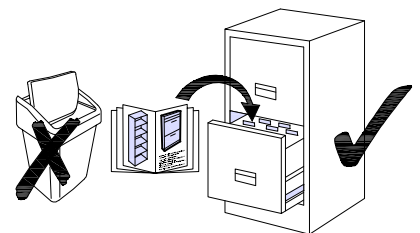
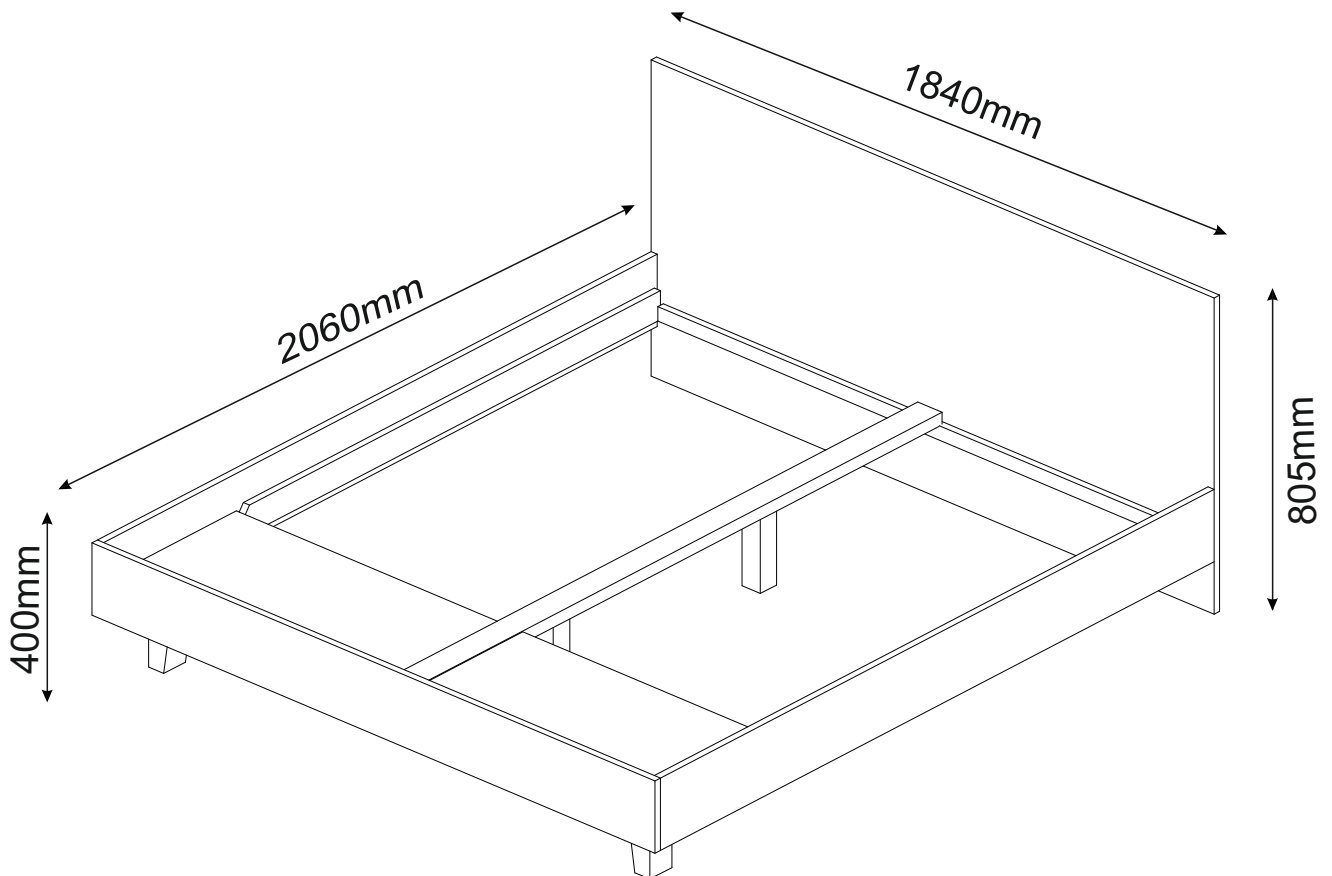
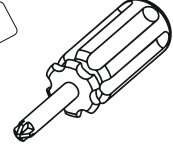
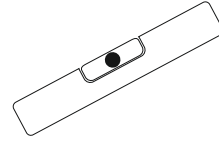
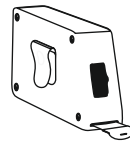
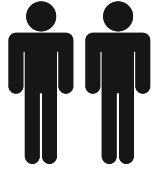
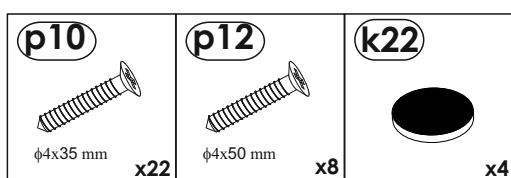
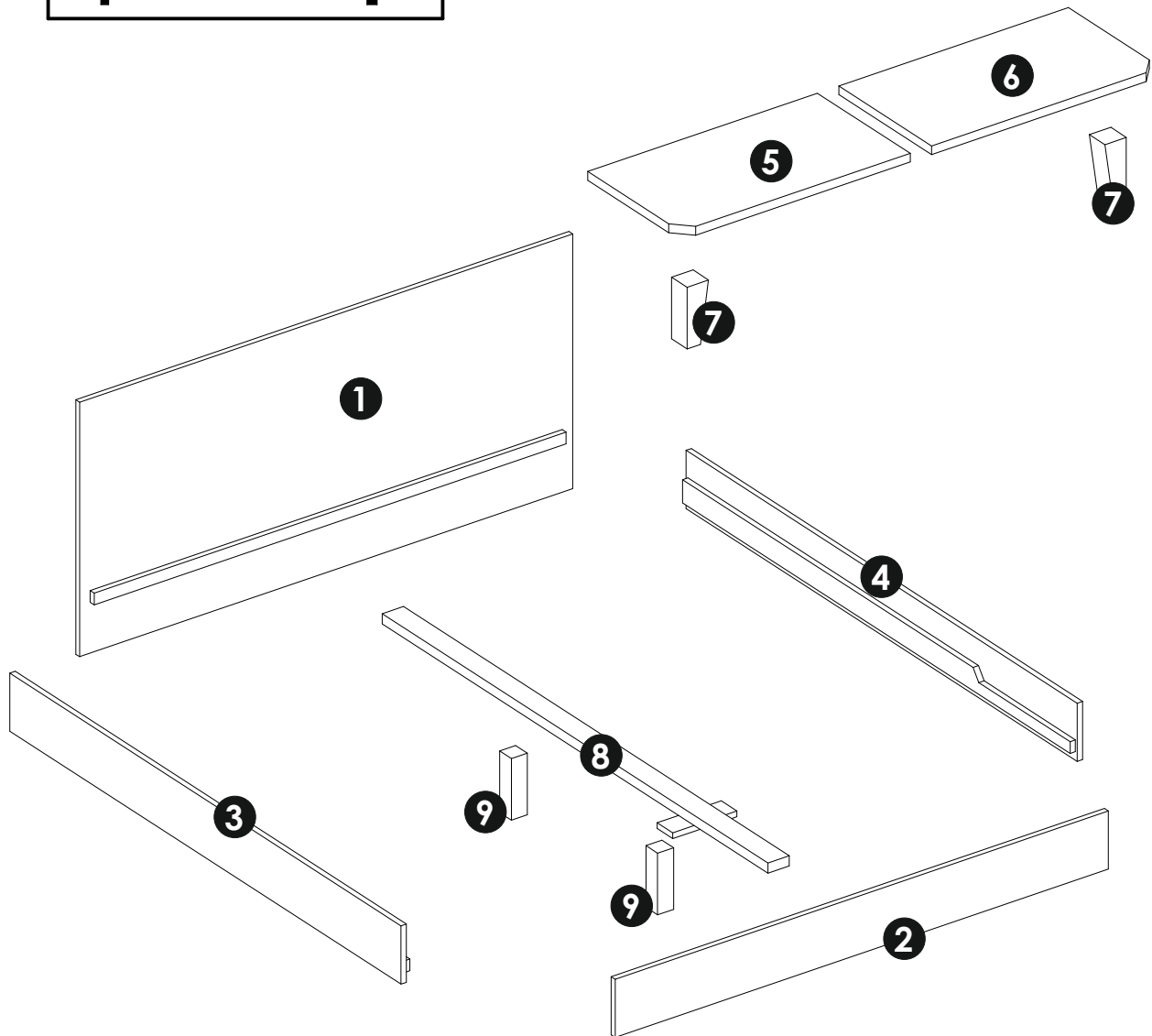
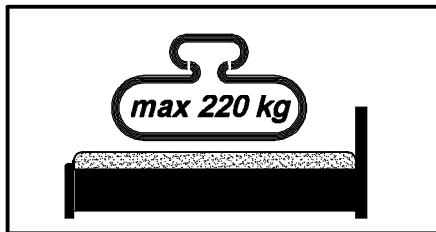


BED MIKA

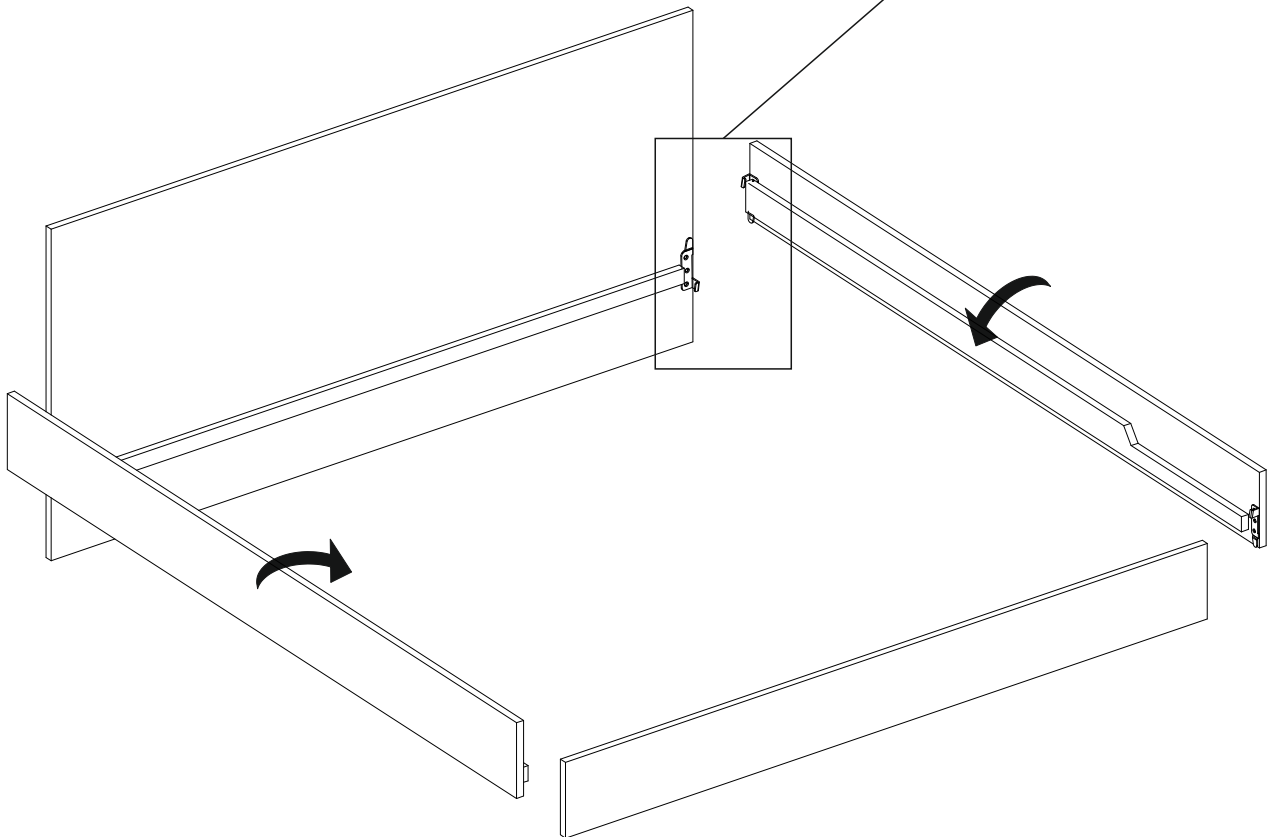
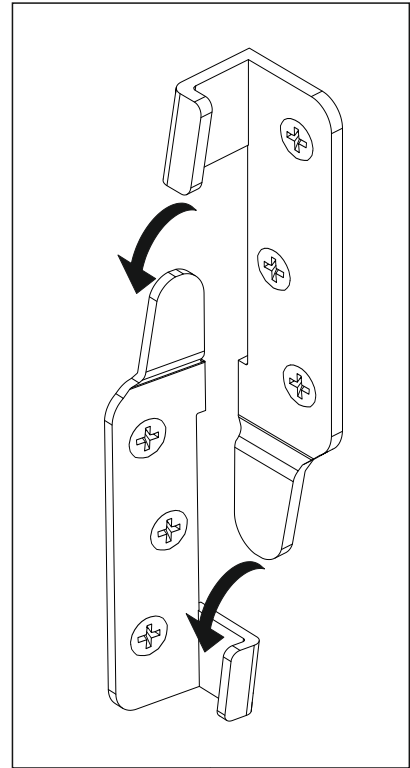
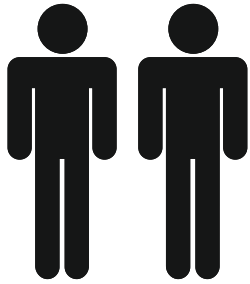
ASSEMBLY INSTRUCTION



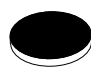


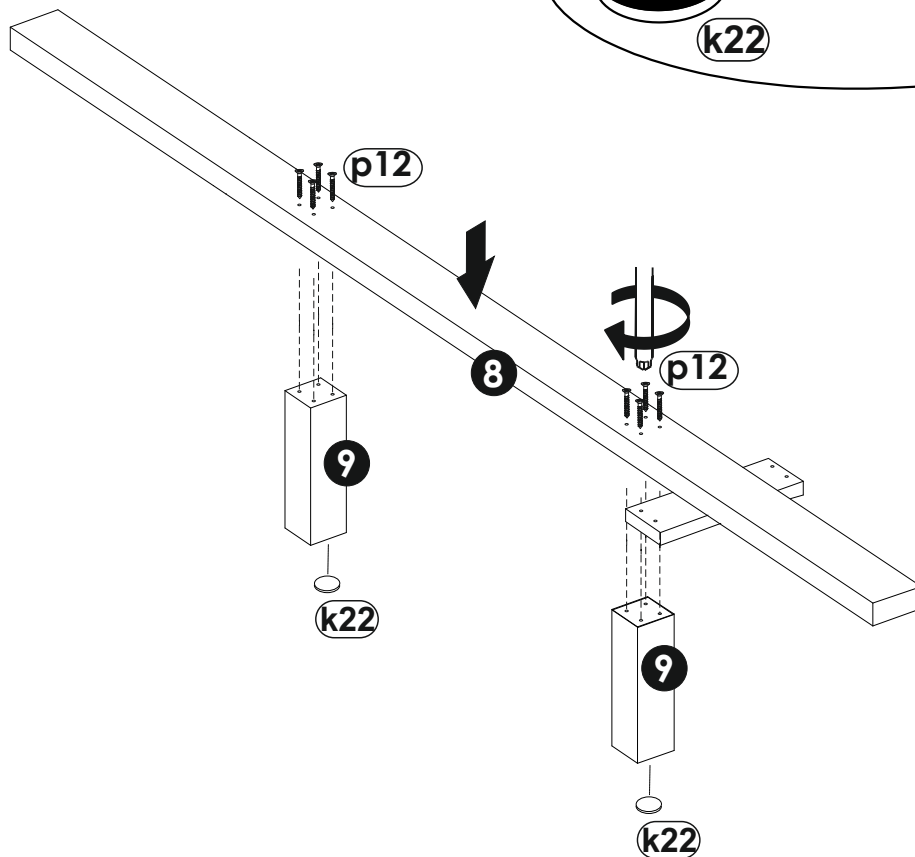
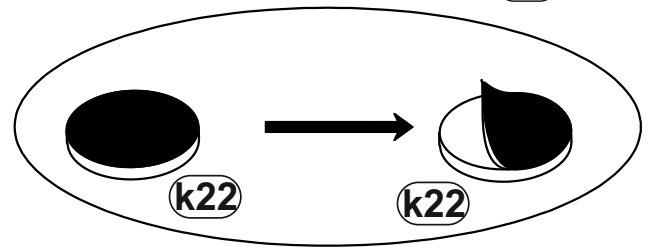
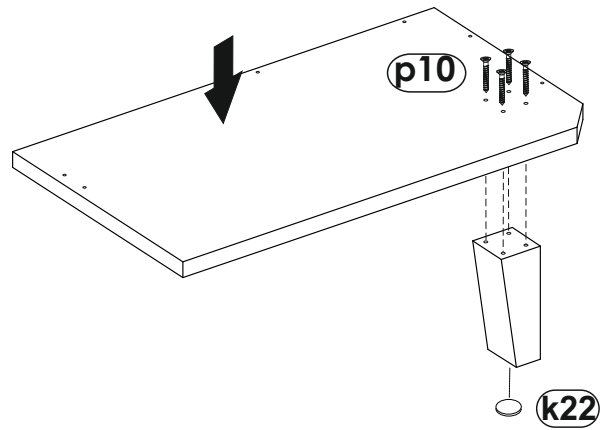
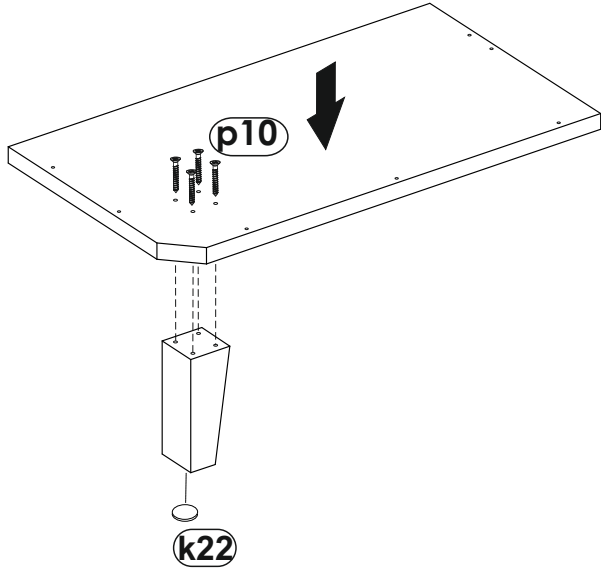
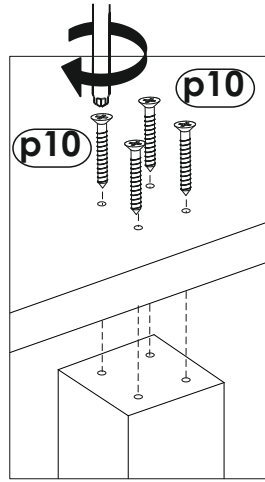
BED MIKA



1




<h1>2</h1>	<p>p10</p>  <p>φ4x35 mm x8</p>	<p>p12</p>  <p>φ4x50 mm x8</p>	<p>k22</p>  <p>x4</p>
------------	--	--	---



3

p10



φ4x35 mm

x14

